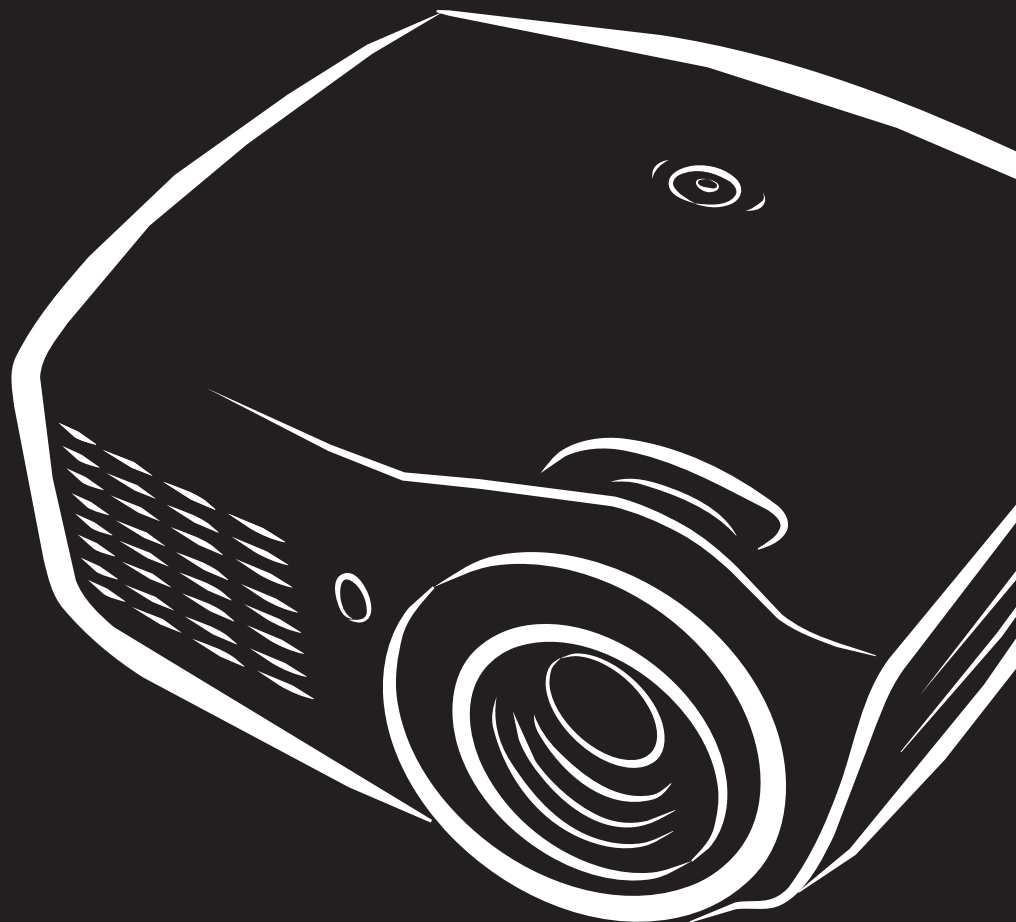


vivitek[®] User Manual
Vivid Color, Vivid Life

D86x Series



PICTURE BY
DLP[®]
TEXAS INSTRUMENTS

Copyright

This publication, including all photographs, illustrations and software, is protected under international copyright laws, with all rights reserved. Neither this manual, nor any of the material contained herein, may be reproduced without written consent of the author.

© Copyright 2011

Disclaimer

The information in this document is subject to change without notice. The manufacturer makes no representations or warranties with respect to the contents hereof and specifically disclaims any implied warranties of merchantability or fitness for any particular purpose. The manufacturer reserves the right to revise this publication and to make changes from time to time in the content hereof without obligation of the manufacturer to notify any person of such revision or changes.

Trademark Recognition

Kensington is a U.S. registered trademark of ACCO Brand Corporation with issued registrations and pending applications in other countries throughout the world.

HDMI, the HDMI Logo, and High-Definition Multimedia Interface are trademarks or registered trademarks of HDMI Licensing LLC in the United States and other countries.

All other product names used in this manual are the properties of their respective owners and are acknowledged.

Important Safety Information

Important:

It is strongly recommended that you read this section carefully before using the projector. These safety and usage instructions will ensure that you enjoy many years of safe use of the projector. Keep this manual for future reference.

Symbols Used

Warning symbols are used on the unit and in this manual to alert you of hazardous situations.

The following styles are used in this manual to alert you to important information.

Note:

Provides additional information on the topic at hand.

Important:

Provides additional information that should not be overlooked.

Caution:

Alerts you to situations that may damage the unit.

Warning:

Alerts you to situations that may damage the unit, create a hazardous environment, or cause personal injury.

Throughout this manual, component parts and items in the OSD menus are denoted in bold font as in this example:

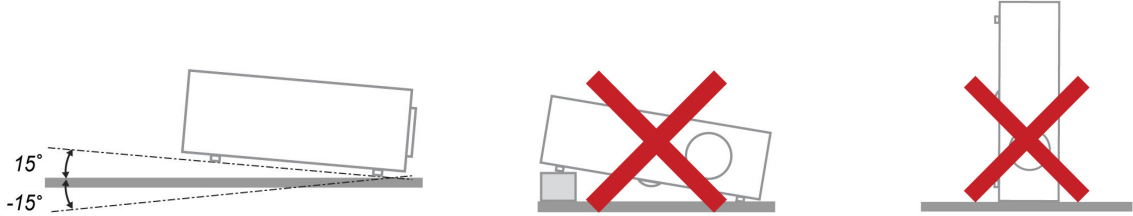
“Push the **Menu** button on the remote control to open the **Main** menu.”

General Safety Information

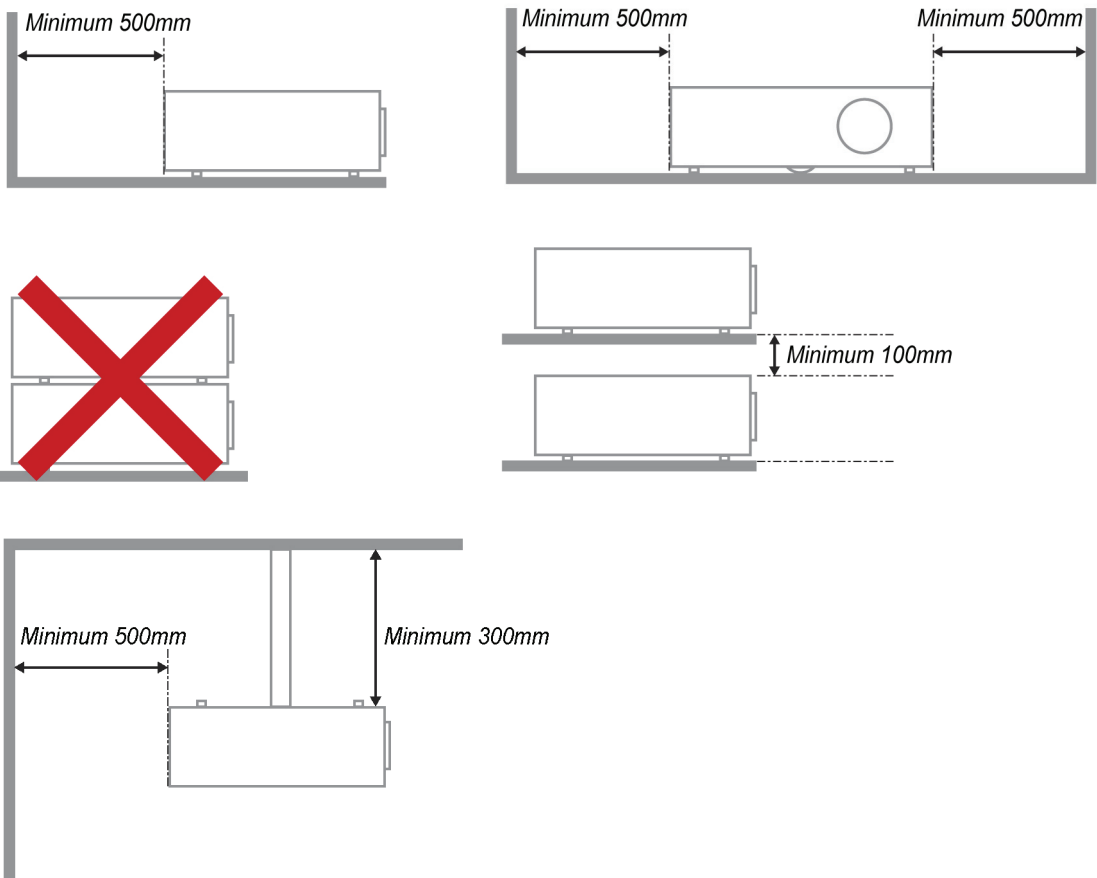
- Do not open the unit case. Aside from the projection lamp, there are no user-serviceable parts in the unit. For servicing, contact qualified service personnel.
- Follow all warnings and cautions in this manual and on the unit case.
- The projection lamp is extremely bright by design. To avoid damage to eyes, do not look into the lens when the lamp is on.
- Do not place the unit on an unstable surface, cart, or stand.
- Avoid using the system near water, in direct sunlight, or near a heating device.
- Do not place heavy objects such as books or bags on the unit.

Projector Installation Notice

- Place the projector in a horizontal position
The tilt angle of the projector should not exceed 15 degrees, nor should the projector be installed in any way other than the desktop and ceiling mount, otherwise lamp life could decrease dramatically.



- Allow at least 50 cm clearance around the exhaust vent.



- Ensure that the intake vents do not recycle hot air from the exhaust vent.
- When operating the projector in an enclosed space, ensure that the surrounding air temperature within the enclosure does not exceed 5 – 35°C while the projector is running, and the air intake and exhaust vents are unobstructed.
- All enclosures should pass a certified thermal evaluation to ensure that the projector does not recycle exhaust air, as this may cause the device to shutdown even if the enclosure temperature is with the acceptable 5 – 35°C range.

Power Safety

- Only use the supplied power cord.
- Do not place anything on the power cord. Place the power cord where it will not be in the way of foot traffic.
- Remove the batteries from the remote control when storing or not in use for a prolonged period.

Replacing the Lamp

Replacing the lamp can be hazardous if done incorrectly. See *Replacing the Projection Lamp* on page 39 for clear and safe instructions for this procedure. Before replacing the lamp:

- Unplug the power cord.
- Allow the lamp to cool for about one hour.

Caution:

In rare cases the lamp bulb may burn out during normal operation and cause glass dust or shards to be discharged outward from the rear exhaust vent.

Do not inhale or do not touch glass dust or shards. Doing so could result in injury.

Always keep your face away from the exhaust vent so that you do not suffer from the gas and broken shards of the lamp.

Cleaning the Projector

- Unplug the power cord before cleaning. See *Cleaning the Projector* page 42.
- Allow the lamp to cool for about one hour.

Regulatory Warnings

Before installing and using the projector, read the regulatory notices in the *Regulatory Compliance* on page 55.

Important Recycle Instructions:



Lamp(s) inside this product contain mercury. This product may contain other electronic waste that can be hazardous if not disposed of properly. Recycle or dispose in accordance with local, state, or federal Laws. For more information, contact the Electronic Industries Alliance at WWW.EIAE.ORG. For lamp specific disposal information check WWW.LAMPRECYCLE.ORG.

Symbol Explanations



DISPOSAL: Do not use household or municipal waste collection services for disposal of electrical and electronic equipment. EU countries require the use of separate recycling collection services.

Main Features

- *Lightweight unit, easy to pack away and transport.*
- *Compatible with all major video standards including NTSC, PAL, and SECAM.*
- *A high brightness rating allows for presentations in daylight or in lit rooms.*
- *Supports resolutions up to UXGA at 16.7 million colors to deliver crisp, clear images.*
- *Flexible setup allows for front, rear projections.*
- *Line-of-vision projections remain square, with advanced keystone correction for angled projections.*
- *Input source automatically detected.*

About this Manual

This manual is intended for end users and describes how to install and operate the DLP projector. Whenever possible, relevant information—such as an illustration and its description—has been kept on one page. This printer-friendly format is both for your convenience and to help save paper, thereby protecting the environment. It is suggested that you only print sections that are relevant to your needs.

Table of Contents

GETTING STARTED 1

- PACKING CHECKLIST 1
- VIEWS OF PROJECTOR PARTS 2
 - Front-right View 2
 - Top view—Power buttons and LEDs 3
 - Rear view 4
 - Bottom view 6
- REMOTE CONTROL PARTS 7
 - For D860/D861 Series 7
 - Inserting the Remote Control Batteries 8
 - For D862 Series 9
 - Inserting the Remote Control Batteries 11
- REMOTE CONTROL OPERATING RANGE 12
- PROJECTOR AND REMOTE CONTROL BUTTONS 12

SETUP AND OPERATION 13

- CONNECTING INPUT DEVICES 13
 - For D860/D861 Series 13
 - For D862 Series 14
- STARTING AND SHUTTING DOWN THE PROJECTOR 15
- SETTING AN ACCESS PASSWORD (SECURITY LOCK) 17
- ADJUSTING THE PROJECTOR LEVEL 19
- ADJUSTING THE ZOOM, FOCUS AND KEYSTONE 20
- ADJUSTING THE VOLUME 21

ON-SCREEN DISPLAY (OSD) MENU SETTINGS 22

- OSD MENU CONTROLS 22
 - Navigating the OSD 22
- SETTING THE OSD LANGUAGE 23
- OSD MENU OVERVIEW 24
- OSD SUB-MENU OVERVIEW 25
- IMAGE MENU 26
 - Advanced Feature 27
 - Color Manager 28
- COMPUTER MENU 29
- VIDEO/AUDIO MENU 30
 - Audio 31
- INSTALLATION I MENU 32
 - Advanced Feature 33
- INSTALLATION II MENU 34
 - Advanced Feature 35
 - OSD Menu Setting 36
 - Peripheral Test 36
 - Lamp Hour Reset 37
 - 3D 37
 - Factory Reset 38
 - Status 38

MAINTENANCE AND SECURITY 39

- REPLACING THE PROJECTION LAMP 39
 - Resetting the Lamp 41
- CLEANING THE PROJECTOR 42
 - Cleaning the Lens 42
 - Cleaning the Case 42
- USING THE KENSINGTON® LOCK 43
 - Using the Kensington® Lock 43
 - Using the Security Bar 44

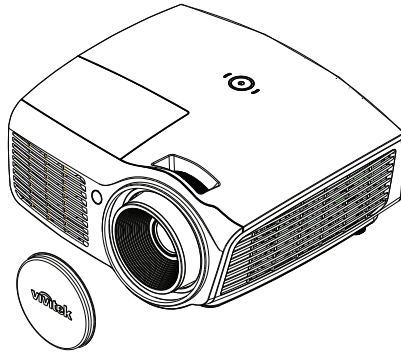
TROUBLESHOOTING 45

COMMON PROBLEMS AND SOLUTIONS	45
TIPS FOR TROUBLESHOOTING	45
LED ERROR MESSAGES.....	46
IMAGE PROBLEMS.....	46
LAMP PROBLEMS.....	47
REMOTE CONTROL PROBLEMS	47
AUDIO PROBLEMS	47
HAVING THE PROJECTOR SERVICED	47
HDMI™ Q & A.....	48
SPECIFICATIONS.....	49
SPECIFICATIONS.....	49
PROJECTION DISTANCE VS. PROJECTION SIZE.....	50
<i>Projection Distance and Size Table</i>	50
TIMING MODE TABLE.....	52
PROJECTOR DIMENSIONS.....	54
REGULATORY COMPLIANCE	55
FCC WARNING.....	55
CANADA	55
SAFETY CERTIFICATIONS.....	55
APPENDIX I	56
RS-232C PROTOCOL.....	56

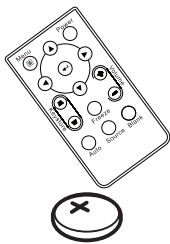
GETTING STARTED

Packing Checklist

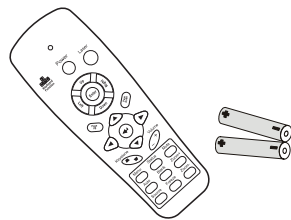
Carefully unpack the projector and check that the following items are included:



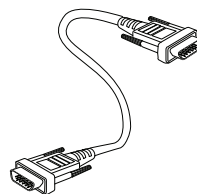
DLP PROJECTOR WITH LENS CAP



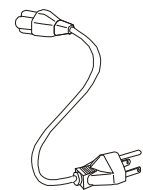
REMOTE CONTROL (*1)
(WITH ONE 3V CR2025
BATTERY)



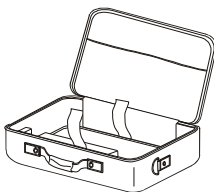
REMOTE CONTROL (*2)
(WITH TWO AAA BATTERIES)



RGB CABLE



POWER CORD



CARRYING CASE
(OPTIONAL)



CD-ROM
(THIS USER'S MANUAL)



QUICK START GUIDE



WARRANTY CARD

Contact your dealer immediately if any items are missing, appear damaged, or if the unit does not work. It is recommended that you keep the original packing material should you ever need to return the equipment for warranty service.

Caution:

Avoid using the projector in dusty environments.

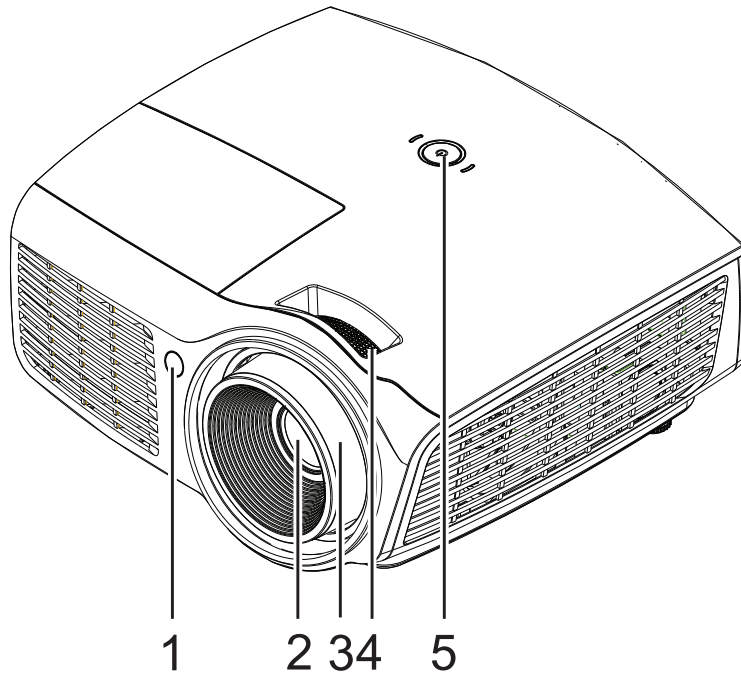
Note:

(*1) D860/D861 only

(*2) D862 only.

Views of Projector Parts

Front-right View

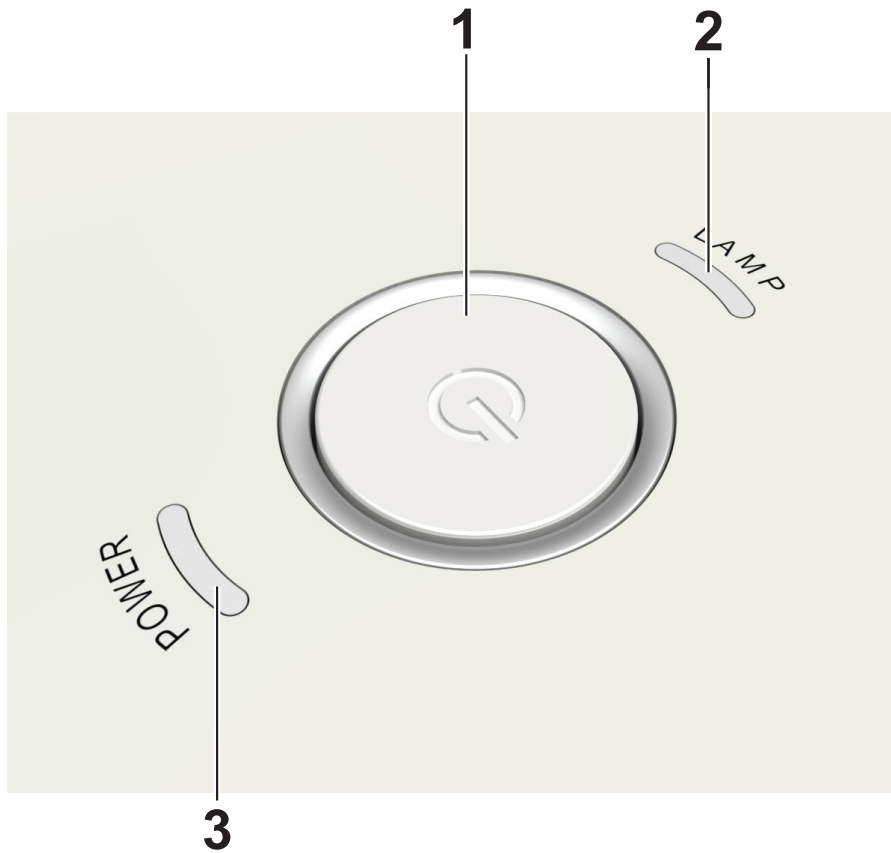


ITEM	LABEL	DESCRIPTION	SEE PAGE:
1.	IR receiver	Receive IR signal from remote control	7
2.	Lens	Projection Lens	
3.	Focus ring	Focuses the projected image	20
4.	Zoom ring	Enlarges the projected image	
5.	⏻ (POWER)	See Top view—Power buttons and LEDs.	3

Important:

Ventilation openings on the projector allow for good air circulation, which keeps the projector lamp cool. Do not obstruct any of the ventilation openings.

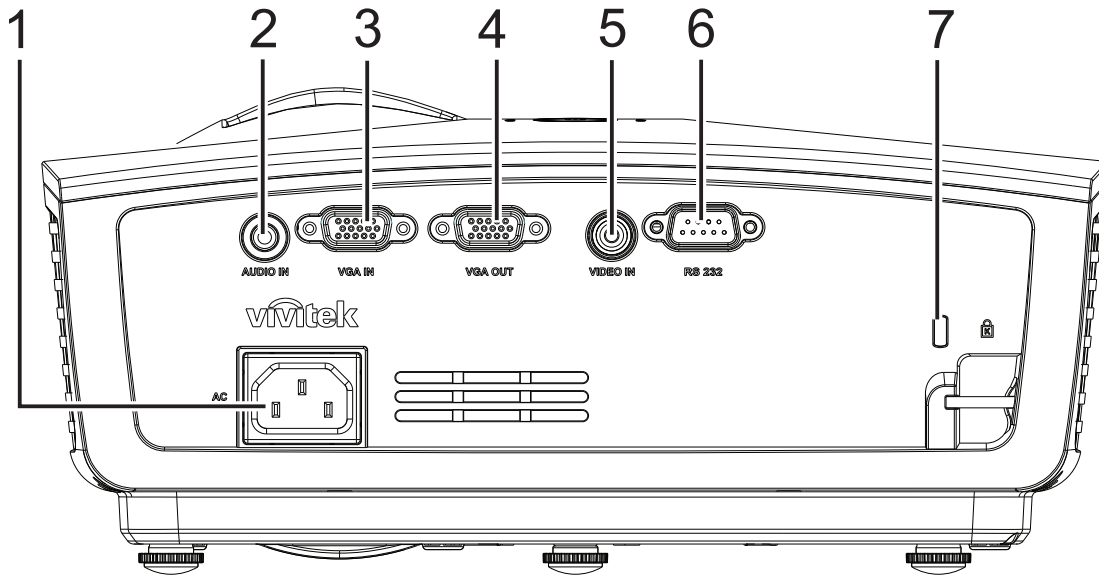
Top view—Power buttons and LEDs



ITEM	LABEL	DESCRIPTION		SEE PAGE:
1.	⏻ (POWER)	Turns the projector On or Off		15
2.	LAMP LED	On	Lamp Error.	
		Off	Normal State	
3.	POWER LED	Blue	Power On	
		Off	Power Off (AC Off)	
		Flashing	System Initialized / Cooling / Error code	

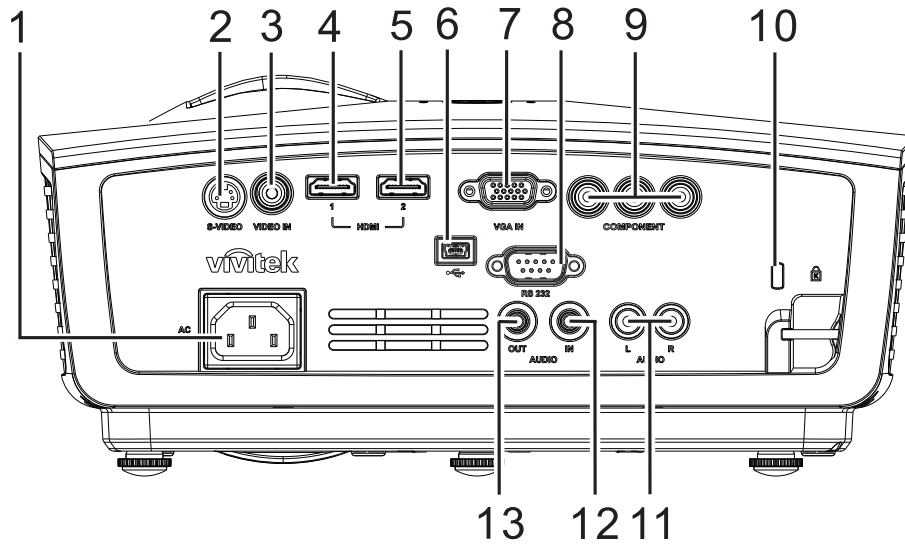
Rear view


For D860/D861 Series



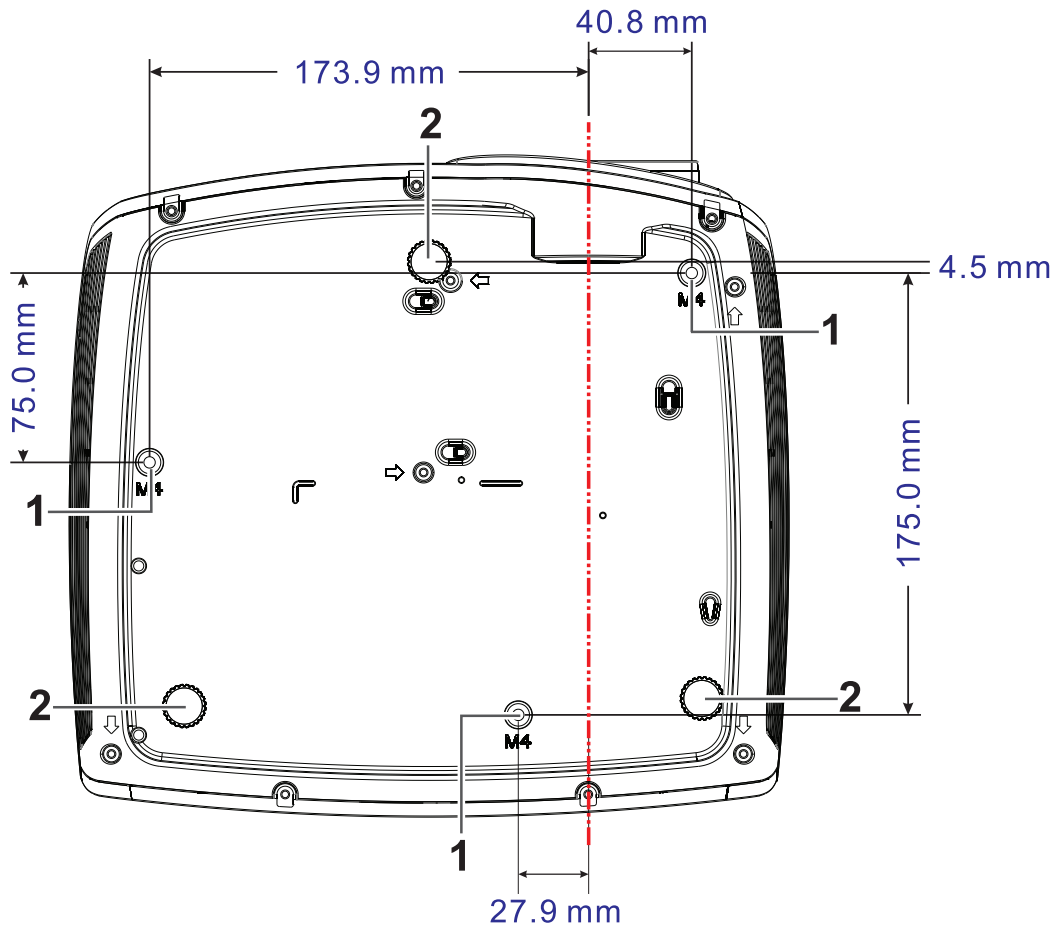
ITEM	LABEL	DESCRIPTION	SEE PAGE:
1.	AC IN	Connect the POWER CABLE	15
2.	AUDIO IN	Connect an AUDIO CABLE from the input device	13
3.	VGA IN	Connect the RGB CABLE from a computer and components	
4.	VGA OUT	Connect the RGB CABLE to a display	
5.	VIDEO IN	Connect the COMPOSITE CABLE from a video device	
6.	RS-232C	Connect RS-232 serial port cable for remote control	
7.	Kensington Lock	Secure to permanent object with a Kensington® Lock system	43

For D862 Series



ITEM	LABEL	DESCRIPTION	SEE PAGE:
1.	AC IN	Connect the POWER CABLE	15
2.	S-VIDEO	Connect the S-VIDEO CABLE from a video device	13
3.	VIDEO IN	Connect the COMPOSITE CABLE from a video device	
4.	HDMI™	Connect the HDMI™ CABLE from a HDMI™ device	
5.	HDMI™	Connect the HDMI™ CABLE from a HDMI™ device	
6.	 (USB)	Connect the USB CABLE from a computer	
7.	VGA IN	Connect the RGB CABLE from a computer	
8.	RS-232C	Connect RS-232 serial port cable for remote control	
9.	COMPONENT	Connect the Component CABLE to a display	43
10.	Kensington Lock	Secure to permanent object with a Kensington® Lock system	
11.	AUDIO IN (L and R)	Connect the AUDIO CABLES from a audio device	13
12.	AUDIO IN	Connect an AUDIO CABLE from the input device	
13.	AUDIO OUT	Connect an AUDIO CABLE for audio loop through	

Bottom view



ITEM	LABEL	DESCRIPTION	SEE PAGE:
1.	Ceiling support holes	Contact your dealer for information on mounting the projector on a ceiling	
2.	Tilt adjustor	Rotate adjuster lever to adjust angle position.	19

Note:

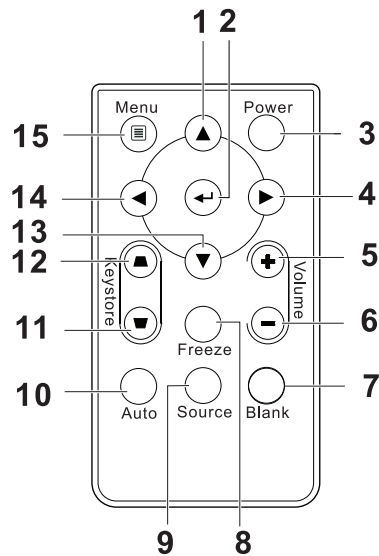
When installing, ensure that you use only UL Listed ceiling mounts.

For ceiling installations, use approved mounting hardware and M4 screws with a maximum screw depth of 12 mm (0.47 inch).

The construction of the ceiling mount must be of a suitable shape and strength. The ceiling mount load capacity must exceed the weight of the installed equipment, and as an additional precaution be capable of withstanding three times the weight of the equipment (not less than 5.15 kg) over a period of 60 seconds.

Remote Control Parts

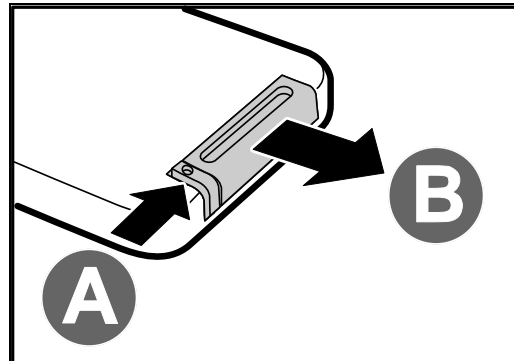
For D860/D861 Series



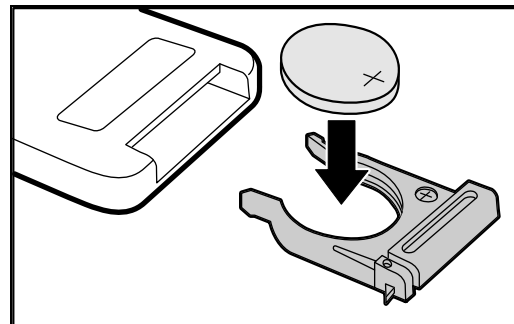
ITEM	LABEL	DESCRIPTION	SEE PAGE:
1.	Up cursor	Navigates and changes settings in the OSD	22
2.	Enter	Changes settings in the OSD	
3.	Power	Turns the projector On or Off	15
4.	Right cursor	Navigates and changes settings in the OSD	22
5.	Volume +	Increase volume	21
6.	Volume -	Decrease volume	
7.	Blank	Video off and audio mute	
8.	Freeze	Freeze/unfreezes the on-screen picture	
9.	Source	Detects the input device	13
10.	Auto	Auto adjustment for frequency, tracking, size, position (RGB only)	
11.	Keystone top	Corrects image-trapezoid (wider top) effect	20
12.	Keystone bottom	Corrects image trapezoid (wider bottom) effect	
13.	Down cursor	Navigates and changes settings in the OSD	22
14.	Left cursor	Navigates and changes settings in the OSD	
15.	Menu	Opens the OSD	

Inserting the Remote Control Batteries

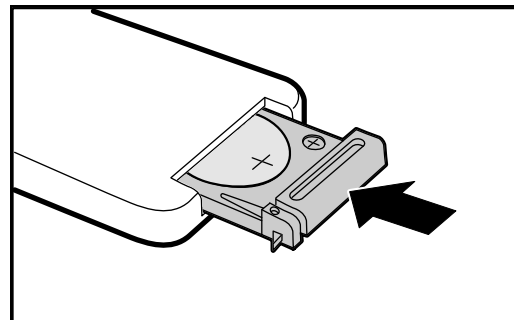
1. Remove the battery compartment cover by sliding the cover in the direction of the arrow (A). Pull out the cover (B).



2. Insert the battery with the positive side facing up.



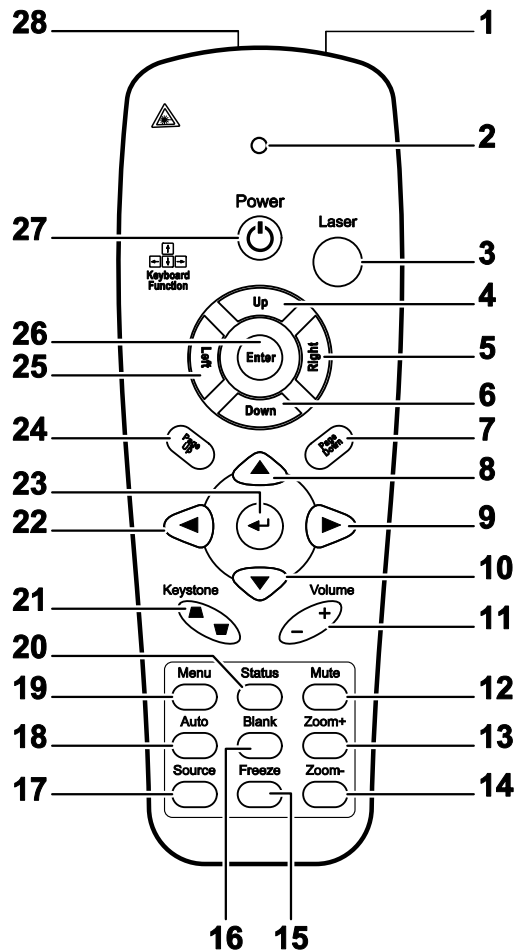
3. Replace the cover.



Caution:

1. Only use a 3V lithium battery (CR2025).
2. Dispose of used batteries according to local ordinance regulations.
3. Remove the batteries when not using the projector for prolonged periods.

For D862 Series

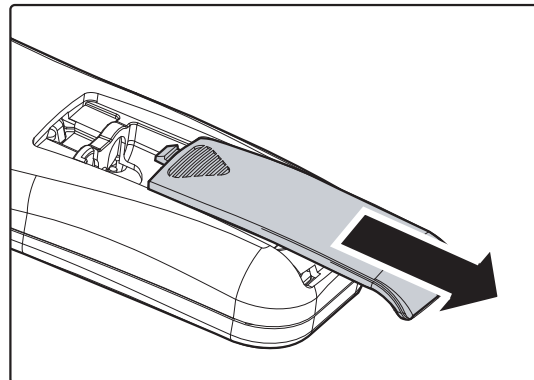


ITEM	LABEL	DESCRIPTION	SEE PAGE:
1.	IR transmitter	Transmits signals to projector	
2.	Status LED	Lights when the remote control is used	
3.	Laser	Press to operate the on-screen pointer	
4.	Up	Up arrow when connected through USB to a PC	
5.	Right	Right arrow when connected through USB to a PC	
6.	Down	Down arrow when connected through USB to a PC	
7.	Page Down	Page down when connected through USB to a PC	
8.	Up cursor	Navigates and changes settings in the OSD	22
9.	Right cursor		
10.	Down cursor		

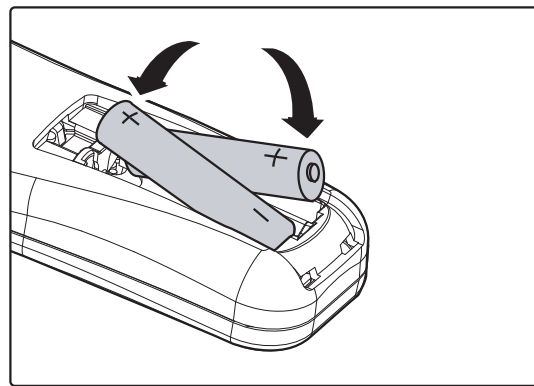
ITEM	LABEL	DESCRIPTION	SEE PAGE:
11.	Volume +/-	Adjusts volume	21
12.	Mute	Mutes the built-in speaker	
13.	Zoom+	Zoom in	
14.	Zoom-	Zoom out	
15.	Freeze	Freeze/unfreezes the on-screen picture	
16.	Blank	Makes the screen blank	
17.	Source	Detects the input device	
18.	Auto	Auto adjustment for phase, tracking, size, position	
19.	Menu	Opens the OSD	22
20.	Status	Opens the OSD Status menu (the menu only opens when an input device is detected)	38
21.	Keystone top/bottom	Corrects image-trapezoid (wider top/bottom) effect	20
22.	Left cursor	Navigates and changes settings in the OSD	22
23.	Enter	Changes settings in the OSD	
24.	Page Up	Page up when connected through USB to a PC	
25.	Left	Left arrow when connected through USB to a PC	
26.	Enter	Enter key when connected through USB to a PC	
27.	Power	Turns the projector on or off	15
28.	Laser	Use as on-screen pointer. DO NOT POINT IN EYES.	

Inserting the Remote Control Batteries

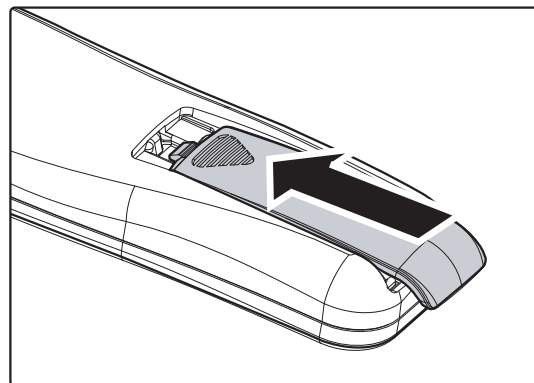
1. Remove the battery compartment cover by sliding the cover in the direction of the arrow.



2. Insert the battery with the positive side facing up.



3. Replace the cover.



Caution:

1. Only use AAA batteries (Alkaline batteries are recommended).
2. Dispose of used batteries according to local ordinance regulations.
3. Remove the batteries when not using the projector for prolonged periods.

Important:

1. Avoid using the projector with bright fluorescent lighting turned on. Certain high-frequency fluorescent lights can disrupt remote control operation.

2. Be sure nothing obstructs the path between the remote control and the projector. If the path between the remote control and the projector is obstructed, you can bounce the signal off certain reflective surfaces such as projector screens.

3. The buttons and keys on the projector have the same functions as the corresponding buttons on the remote control. This user's manual describes the functions based on the remote control.

Remote Control Operating Range

The remote control uses infrared transmission to control the projector. It is not necessary to point the remote directly at the projector. Provided you are not holding the remote perpendicular to the sides or the rear of the projector, the remote will function well within a radius of about 7 meters (23 feet) and 15 degrees above or below the projector level. If the projector does not respond to the remote control, move a little closer.

Projector and Remote Control Buttons

The projector can be operated using the remote control or the buttons on the top of the projector. All operations can be carried out with the remote control; however, the buttons on the projector are limited in use.

SETUP AND OPERATION

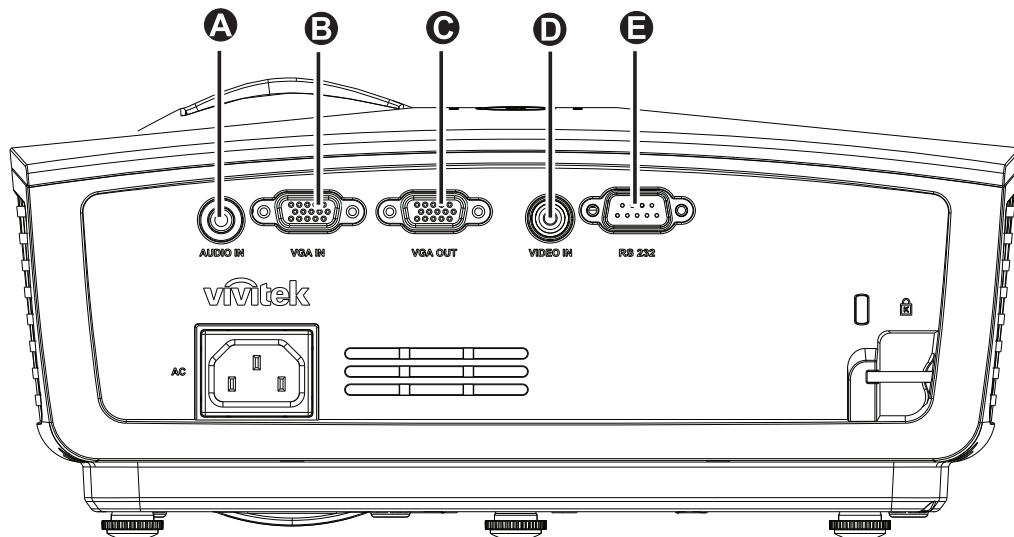
Connecting Input Devices

A PC or notebook computer and video devices can be connected to the projector at the same time. Video devices include DVD, VCD, and VHS players, as well as movie camcorders and digital still cameras. Check the user manual of the connecting device to confirm it has the appropriate output connector.

Warning:

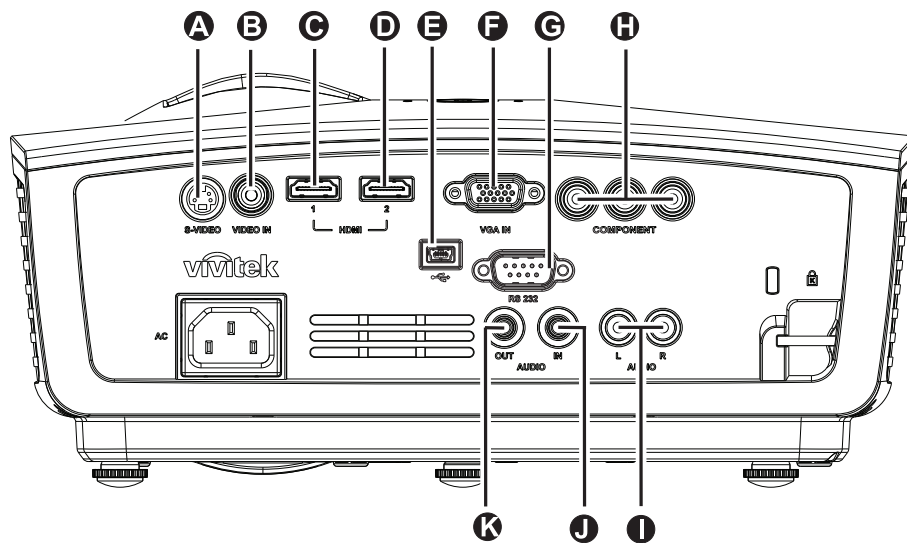
As a safety precaution, disconnect all power to the projector and connecting devices before making connections.


For D860/D861 Series



ITEM	LABEL	DESCRIPTION
A	AUDIO IN	Connect an AUDIO CABLE from the input device
B	VGA IN	Connect the RGB CABLE from a computer or components
C	VGA OUT	Connect the RGB CABLE to a display
D	VIDEO IN	Connect the COMPOSITE CABLE from a video device
E	RS-232C	Connect RS-232 serial port cable for remote control

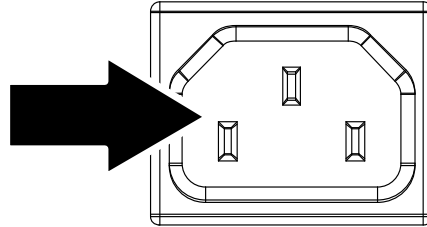
For D862 Series



ITEM	LABEL	DESCRIPTION
A	S-VIDEO	Connect the S-VIDEO CABLE from a video device
B	VIDEO IN	Connect the COMPOSITE CABLE from a video device
C	HDMI™	Connect the HDMI™ CABLE from a HDMI™ device
D	HDMI™	Connect the HDMI™ CABLE from a HDMI™ device
E	 (USB)	Connect the USB CABLE from a computer
F	VGA IN	Connect the RGB CABLE from a computer
G	RS-232C	Connect the RS-232 serial cable for remote control
H	COMPONENT	Connect the Component CABLE to a display
I	AUDIO IN (L and R)	Connect the AUDIO CABLES from a audio device
J	AUDIO IN	Connect an AUDIO CABLE from the input device
K	AUDIO OUT	Connect an AUDIO CABLE for audio loop through

Starting and Shutting down the Projector

1. Connect the power cord to the projector. Connect the other end to a wall outlet. The **POWER** LED on the projector light.



2. Turn on the connected devices.

3. Ensure the LAMP LED not a flashing. Then press the **POWER** button to turn on the projector.

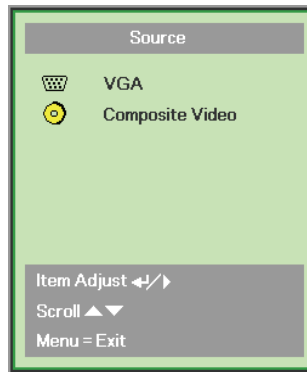
The projector splash screen displays and connected devices are detected.

See *Setting an Access Password (Security Lock)* on page 17 if security lock is enabled.



4. If more than one input device is connected, press the **SOURCE** button and use ▲▼ to scroll among devices. (Component is supported through the RGB to COMPONENT ADAPTER.)

For D860/D861 Series



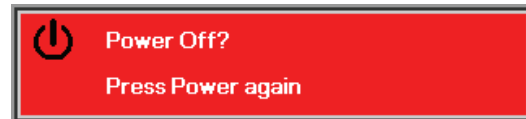
- VGA: Analog RGB
Component: DVD input YCbCr / YPbPr, or HDTV input YPbPr
- Composite Video: Traditional composite video

For D862 Series



- VGA: Analog RGB
- Component: DVD input YCbCr / YPbPr.
- Composite Video: Traditional composite video
- S-Video: Super video (Y/C separated)
- HDMI 1/HDMI 2: HDMI

5. When the “Power Off? /Press **Power** again” message appears, press the **POWER** button. The projector turns off.



Caution:

1. Be sure to remove the lens cap before starting projector.
2. Do not unplug the power cord until the **POWER LED** stops flashing—indicating the projector has cooled down.

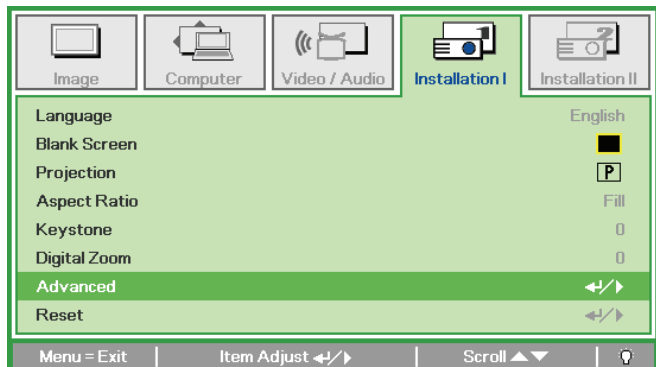
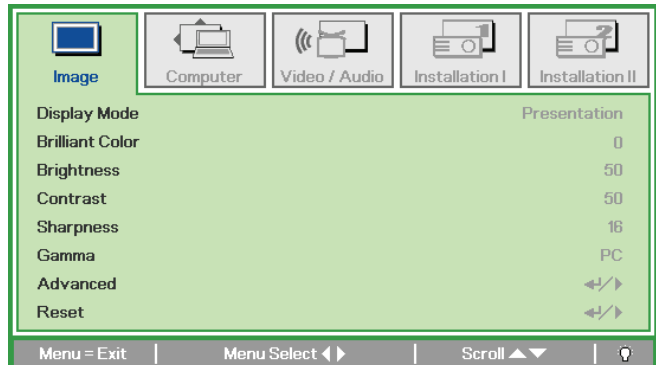
Setting an Access Password (Security Lock)

You can use the four (arrow) buttons to set a password and prevent unauthorized use of the projector. When enabled, the password must be entered after you power on the projector. (See *Navigating the OSD* on page 22 and *Setting the OSD Language* on page 23 for help on using OSD menus.)

Important:

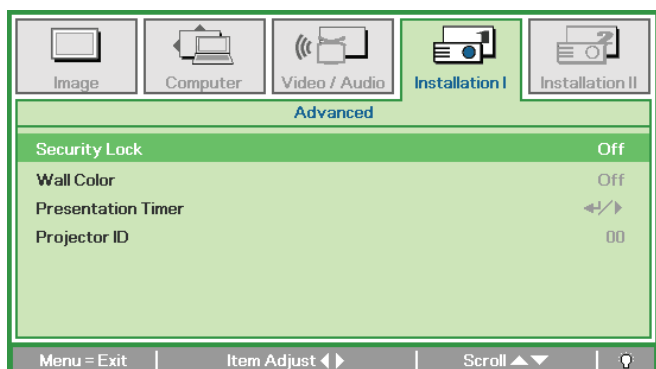
Keep the password in a safe place. Without the password, you will not be able to use the projector. If you lose the password, contact your reseller for information on clearing the password.

1. Press the **MENU** button to open the OSD menu.
2. Press the cursor **◀▶** button to move to the **Installation I** menu, press the cursor **▲▼** button to select **Advanced**.



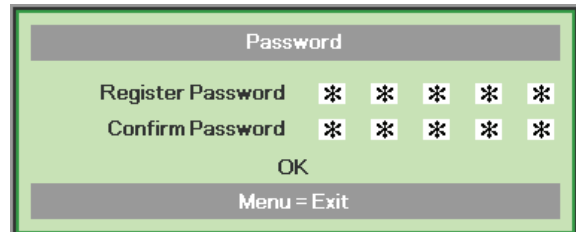
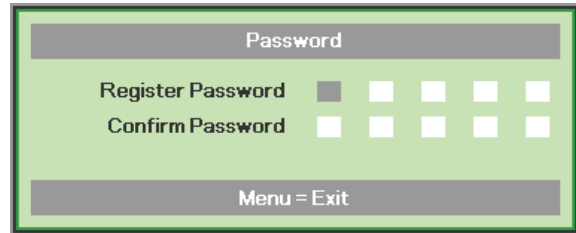
3. Press the cursor **▲▼** button to select **Security Lock**.
4. Press the cursor **◀▶** button to enable or disable security lock function.

A password dialog box automatically appears.

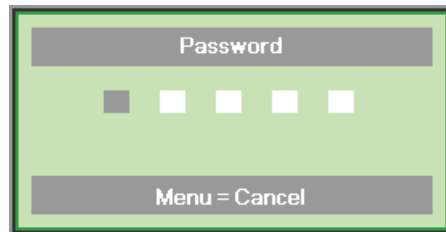


- 5.** You can use the cursor buttons ▲▼◀▶ either on keypad or IR remote control for password entry. You can use any combination including the same arrow five times, but not less than five.

Press the cursor buttons in any order to set the password. Push the **MENU** button to exit the dialog box.



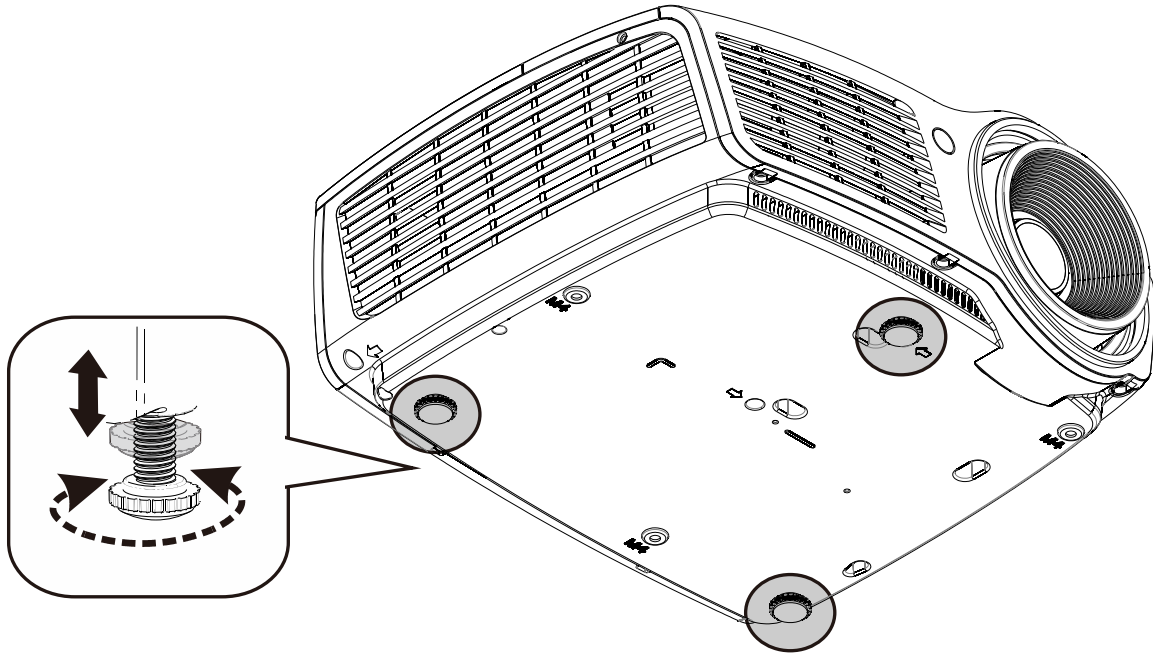
- 6.** The password confirm menu appears when user presses the power-on key in case the **Security Lock** is enabled. Enter the password in the order you set it at step 5. In case you forget the password, please contact the service center. The service center will validate the owner and help reset the password.



Adjusting the Projector Level

Take note of the following when setting up the projector:

- *The projector table or stand should be level and sturdy.*
- *Position the projector so that it is perpendicular to the screen.*
- *Ensure the cables are in a safe location. You could trip over them.*

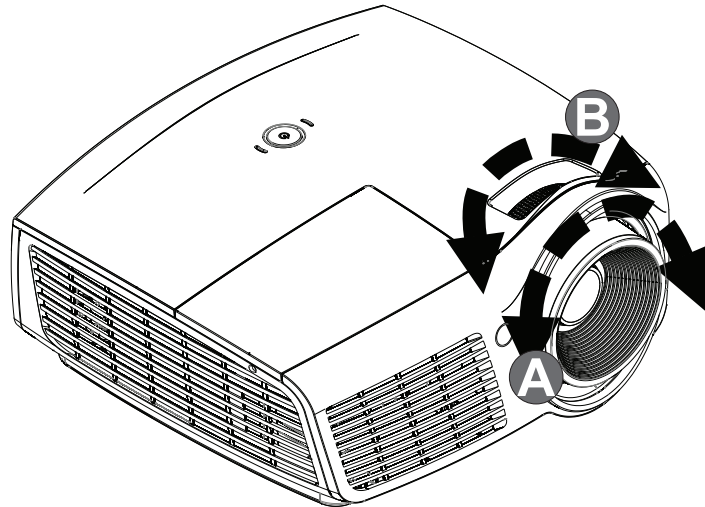


To adjust the angle of the picture, turn the tilt-adjuster right or left until the desired angle has been achieved.

Adjusting the Zoom, Focus and Keystone

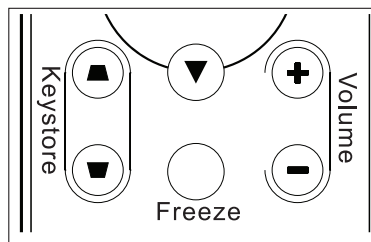
1. Use the **Image-zoom** control (on the projector only) to resize the projected image and screen size **B**.

2. Use the **Image-focus** control (on the projector only) to sharpen the projected image **A**.

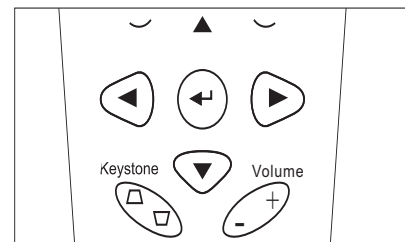


3. Use the **KEYSTONE** buttons the remote control to correct image-trapezoid (wider top or bottom) effect.

For D860/D861 Series



For D862 Series



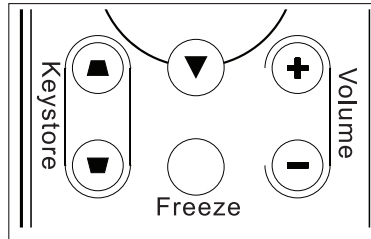
4. The keystone control appears on the display.



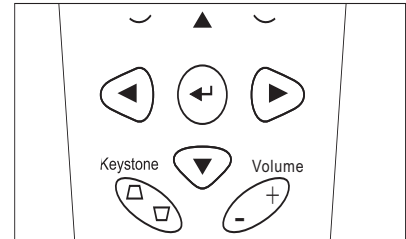
Adjusting the Volume

1. Press the **Volume +/-** buttons on the remote control. The volume control appears on the display.

For D860/D861 Series



For D862 Series



2. Press the **MUTE** button to turn off the volume (This feature is available only on the **D862 Series** remote).



ON-SCREEN DISPLAY (OSD) MENU SETTINGS

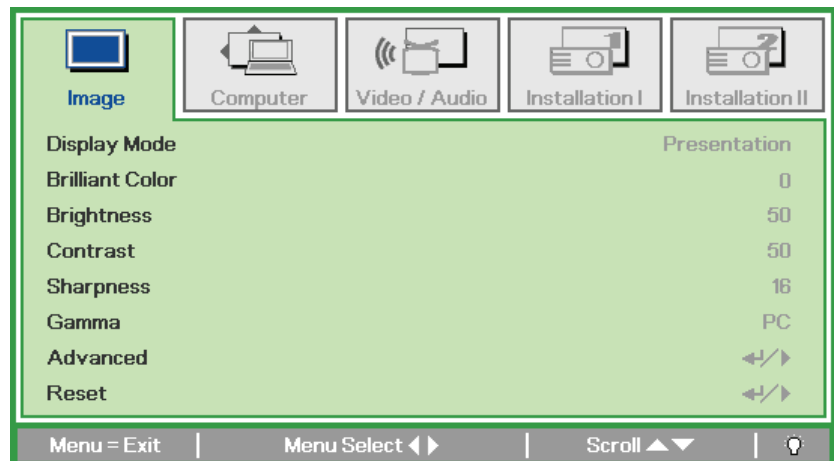
OSD Menu Controls

The projector has an OSD that lets you make image adjustments and change various settings.

Navigating the OSD

You can use the remote control cursor buttons to navigate and make changes to the OSD.

1. To enter the OSD, press the **MENU** button.
2. There are five menus. Press the cursor ◀▶ button to move through the menus.
3. Press the cursor ▲▼ button to move up and down in a menu.
4. Press ◀▶ to change values for settings.
5. Press **MENU** to close the OSD or leave a submenu.



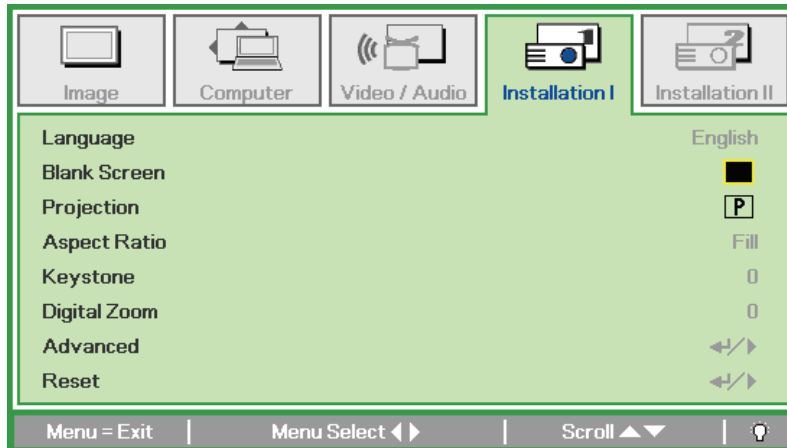
Note:

Depending on the video source, not all items in the OSD are available. For example, the **Horizontal/Vertical Position** items in the **Computer** menu can only be modified when connected to a PC. Items that are not available cannot be accessed and are grayed out.

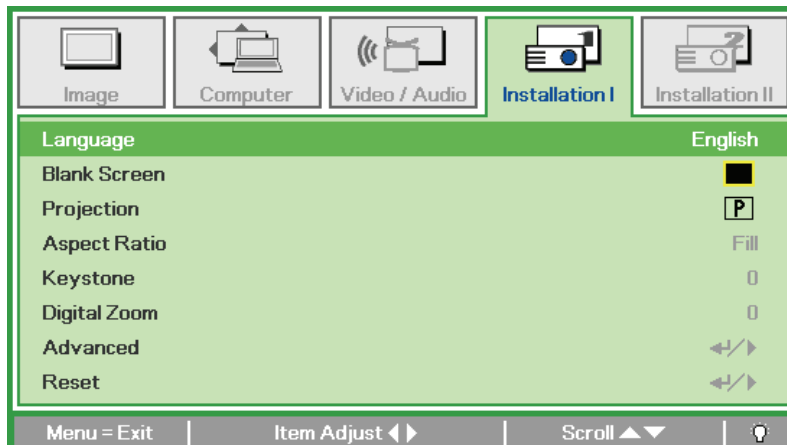
Setting the OSD Language

Set the OSD language to your preference before continuing.

1. Press the **MENU** button. Press the cursor ◀▶ button to navigate to Installation I.



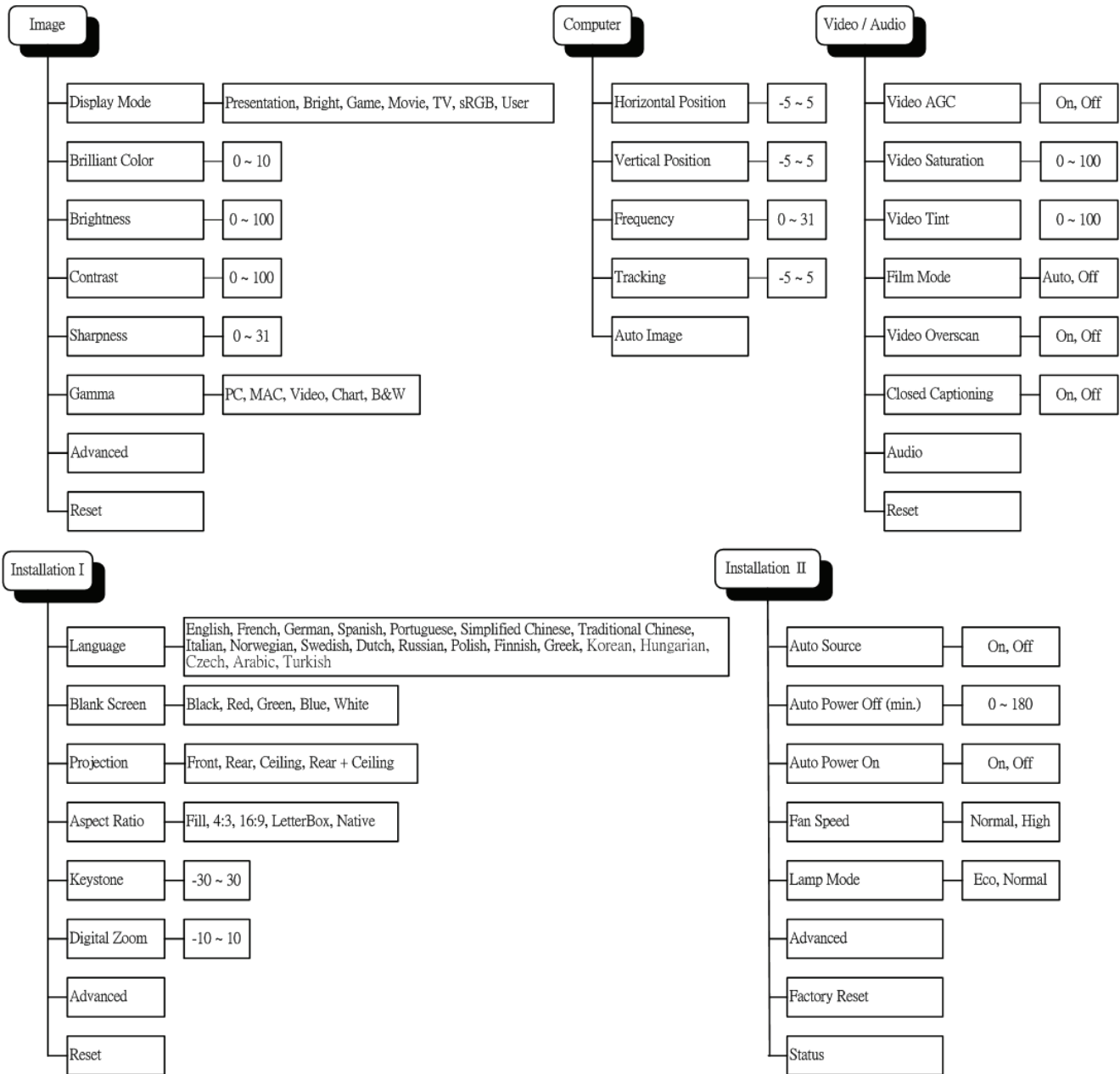
2. Press the cursor ▲▼ button until **Language** is highlighted.



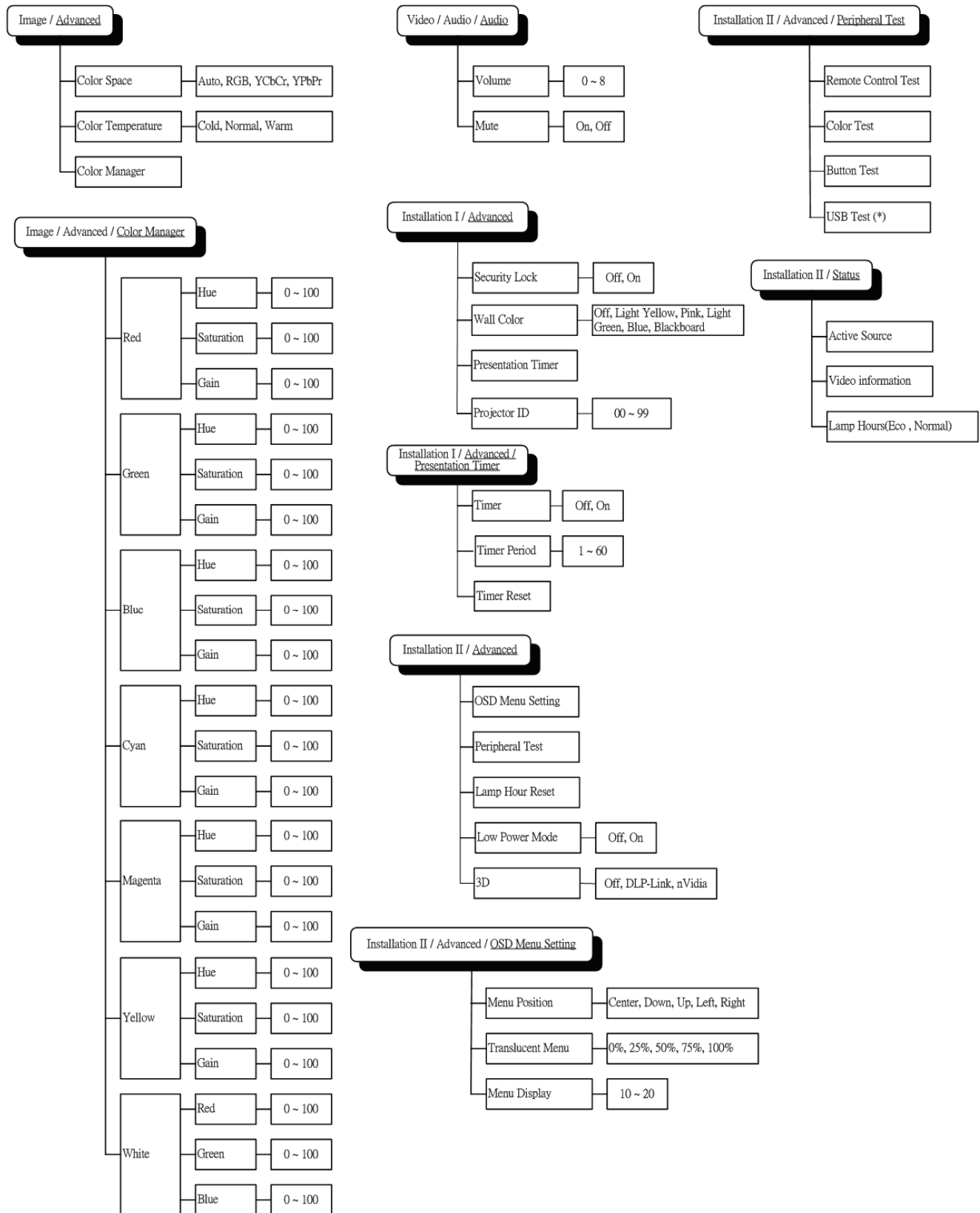
3. Press the cursor ◀▶ button until the language you want is highlighted.
4. Press the **MENU** button twice to close the OSD.

OSD Menu Overview

Use the following illustration to quickly find a setting or determine the range for a setting.



OSD Sub-Menu Overview

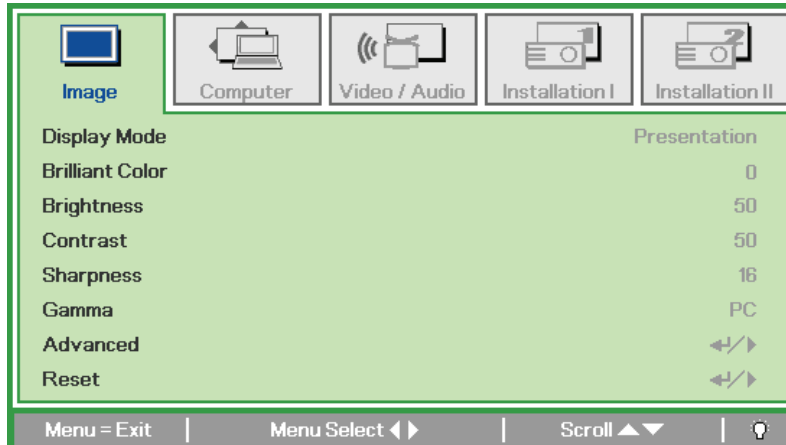


Note:

(*)Not available in D860/D861 Series.

Image Menu

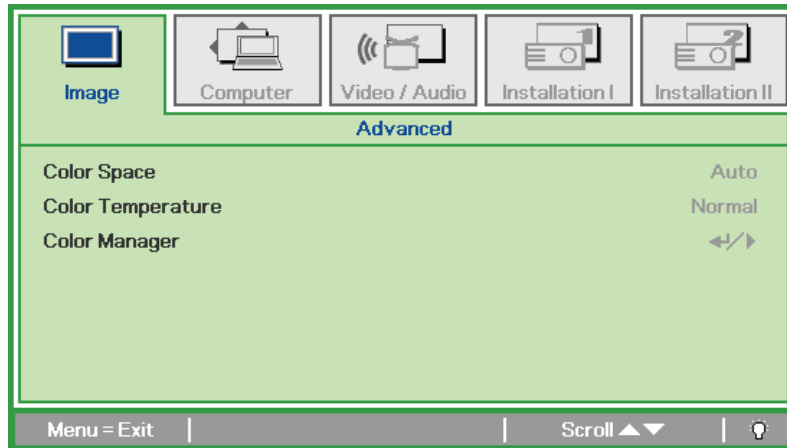
Press the **MENU** button to open the **OSD** menu. Press the cursor **◀▶** button to move to the **Image Menu**. Press the cursor **▲▼** button to move up and down in the **Image** menu. Press **◀▶** to change values for settings.



ITEM	DESCRIPTION
Display Mode	Press the cursor ◀▶ button to set the Display Mode.
Brilliant Color	Press the cursor ◀▶ button to adjust the Brilliant Color value.
Brightness	Press the cursor ◀▶ button to adjust the display brightness.
Contrast	Press the cursor ◀▶ button to adjust the display contrast.
Sharpness	Press the cursor ◀▶ button to adjust the display sharpness level.
Gamma	Press the cursor ◀▶ button to adjust the gamma correction of the display.
Advanced	Press ◀ (Enter) / ▶ to enter the Advanced menu. See <i>Advanced Feature</i> on page 27.
Reset	Press ◀ (Enter) / ▶ to reset all settings to default values.

Advanced Feature

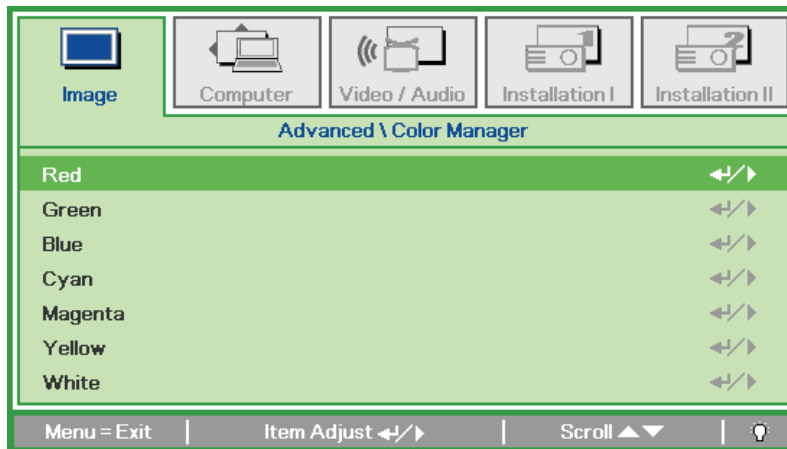
Press the **Menu** button to open the **OSD** menu. Press ◀▶ to move to the **Image** menu. Press ▼▲ to move to the **Advanced** menu and then press **Enter** or ▶. Press ▼▲ to move up and down in the **Advanced** menu.



ITEM	DESCRIPTION
Color Space	Press the cursor ◀▶ button to adjust the color space.
Color Temperature	Press the cursor ◀▶ button to adjust the color temperature.
Color Manager	Press ◀↵ (Enter) / ▶ to enter the color manager menu. See page 28 for more information on <i>Color Manager</i> .

Color Manager

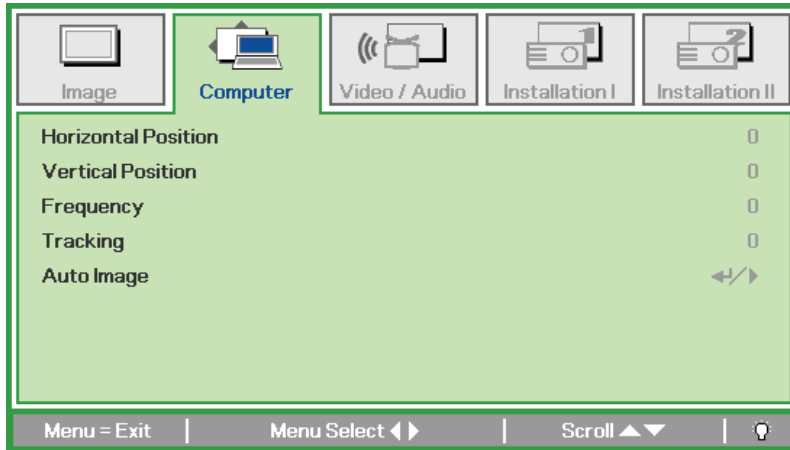
Press ◀ (Enter) / ▶ to enter the **Color Manager** sub menu.



ITEM	DESCRIPTION
Red	Select to enter the Red Color Manager. Press the ◀▶ buttons to adjust the Hue, Saturation, and Gain.
Green	Select to enter the Green Color Manager. Press the ◀▶ buttons to adjust the Hue, Saturation, and Gain.
Blue	Select to enter the Blue Color Manager. Press the ◀▶ buttons to adjust the Hue, Saturation, and Gain.
Cyan	Select to enter the Cyan Color Manager. Press the ◀▶ buttons to adjust the Hue, Saturation, and Gain.
Magenta	Select to enter the Magenta Color Manager. Press the ◀▶ buttons to adjust the Hue, Saturation, and Gain.
Yellow	Select to enter the Yellow Color Manager. Press the ◀▶ buttons to adjust the Hue, Saturation, and Gain.
White	Select to enter the White Color Manager. Press the ◀▶ buttons to adjust the Red, Green, and Blue.

Computer Menu

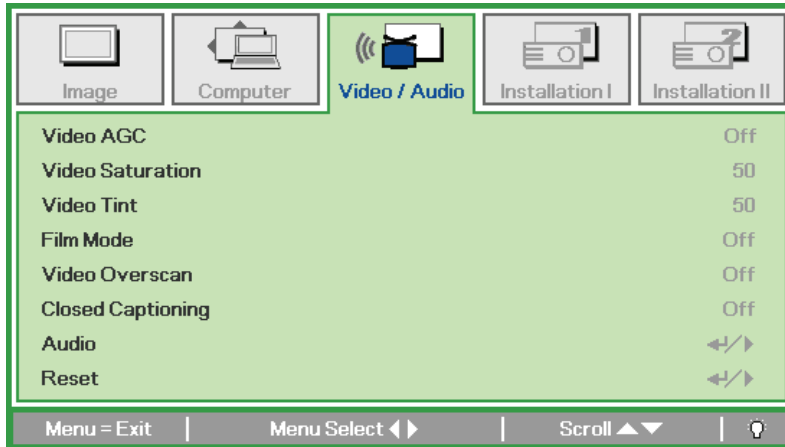
Press the **MENU** button to open the **OSD** menu. Press the cursor ◀▶ button to move to the **Computer** menu. Press the cursor ▲▼ button to move up and down in the computer menu. Press ◀▶ to change values for settings.



ITEM	DESCRIPTION
Horizontal Position	Press the cursor ◀▶ button to adjust the display position to left or right.
Vertical Position	Press the cursor ◀▶ button to adjust the display position to up or down.
Frequency	Press the cursor ◀▶ button to adjust the A/D sampling clock.
Tracking	Press the cursor ◀▶ button to adjust the A/D sampling dot.
Auto Image	Press ◀ (Enter) / ▶ to automatically adjustment for phase, tracking, size and position.

Video/Audio Menu

Press the **MENU** button to open the **OSD** menu. Press the cursor **◀▶** button to move to the **Video/Audio** menu. Press the cursor **▲▼** button to move up and down in the **Video/Audio** menu. Press **◀▶** to change values for settings.



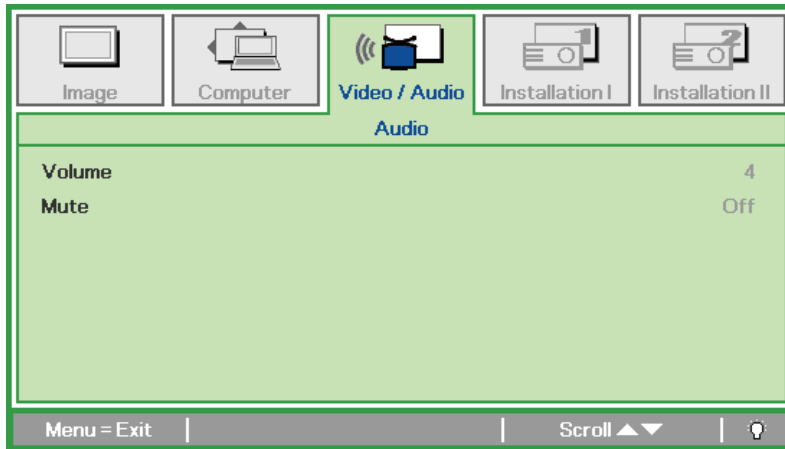
ITEM	DESCRIPTION
Video AGC	Press the ◀▶ buttons to enable or disable the Automatic Gain Control for video source.
Video Saturation	Press the ◀▶ buttons to adjust the video saturation.
Video Tint	Press the ◀▶ buttons to adjust the video tint/hue.
Film Mode	Press the ◀▶ buttons to select a different film mode.
Video Overscan	Press the ◀▶ buttons to enable or disable video over scan.
Closed Captioning	Press the ◀▶ buttons to enable or disable Closed Captioning
Audio	Press ◀ (Enter) / ▶ to enter the Audio menu. See <i>Audio</i> on page 31.
Reset	Press ◀ (Enter) / ▶ to reset all settings to default values.

Note:

Video jaggging may occur when playing interlace video. To overcome this issue, open the Video / Audio menu and adjust the Film Mode feature.

Audio

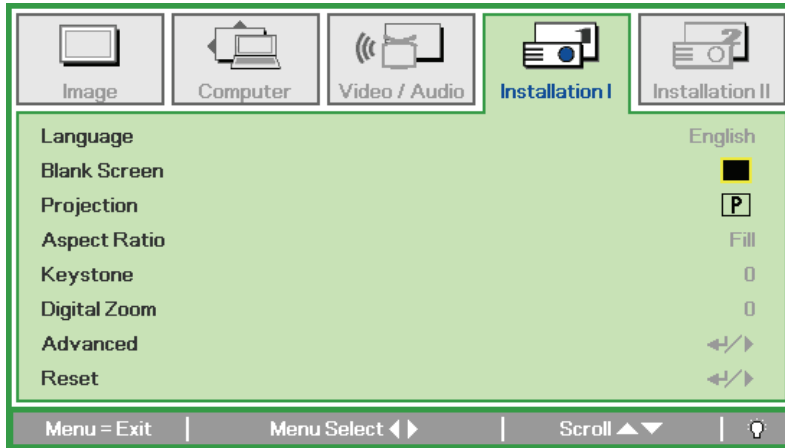
Press ◀ (Enter) / ▶ to enter the **Audio** sub menu.



ITEM	DESCRIPTION
Volume	Press the ◀▶ buttons to adjust the audio volume.
Mute	Press the ◀▶ buttons to turn on or off the speaker.

Installation I Menu

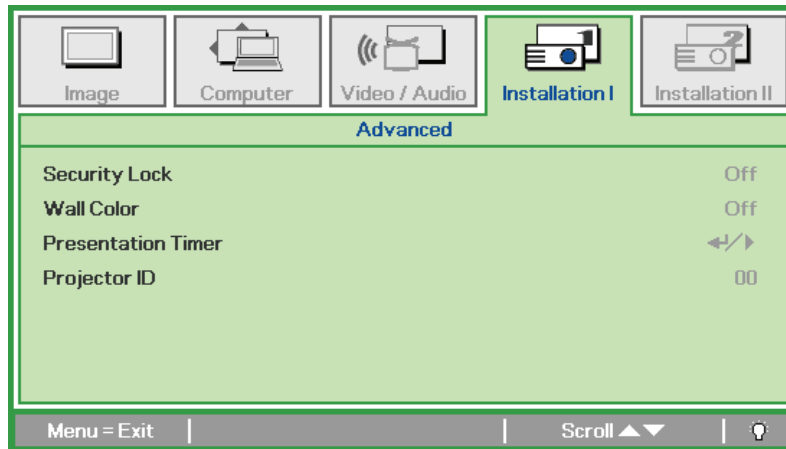
Press the **MENU** button to open the **OSD** menu. Press the cursor ◀▶ button to move to the **Installation I** menu. Press the cursor ▲▼ button to move up and down in the **Installation I** menu. Press ◀▶ to change values for settings.



ITEM	DESCRIPTION
Language	Press the cursor ◀▶ button to select a different localization Menu.
Blank Screen	Press the cursor ◀▶ button to select different color to blank the screen.
Projection	Press the cursor ◀▶ button to choose from four projection methods:
Aspect Ratio	Press the cursor ◀▶ button to adjust the video aspect ratio.
Keystone	Press the cursor ◀▶ button to adjust the display keystone.
Digital Zoom	Press the cursor ◀▶ button to adjust the Digital Zoom menu.
Advanced	Press ◀↵ (Enter) / ▶ to enter the Advanced menu. See <i>Advanced Feature</i> on page 35.
Reset	Press ◀↵ (Enter) / ▶ to reset all settings to default values (except Language and Security Lock).

Advanced Feature

Press the **Menu** button to open the **OSD** menu. Press ◀▶ to move to the **Installation I** menu. Press ▲▼ to move to the **Advanced** menu and then press **Enter** or ▶. Press ▲▼ to move up and down in the **Advanced** menu. Press ◀▶ to change values for setting.

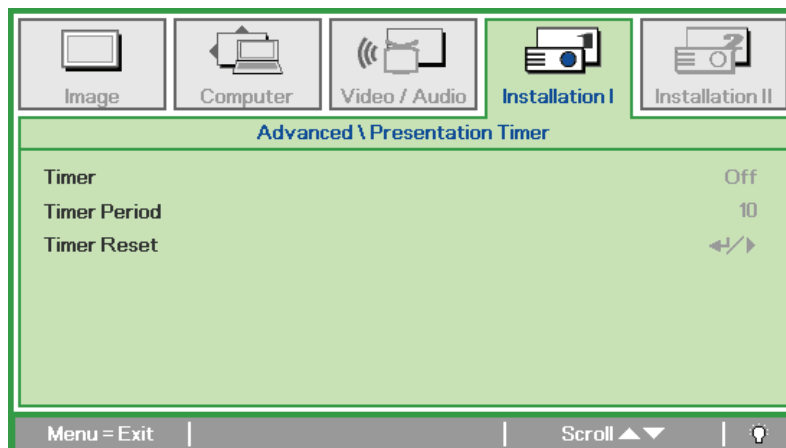


ITEM	DESCRIPTION
Security Lock	Press the cursor ◀▶ button to enable or disable security lock function.
Wall Color	Press the cursor ◀▶ button to select different wall color setting.
Presentation Timer	Press ◀ (Enter) / ▶ to enter the Presentation menu. See <i>Advanced Feature</i> on page 33.
Projector ID	Press the cursor ◀▶ button to adjust a two digit projector ID from 0 through 99.

Presentation Timer

The Presentation Timer function can indicate the presentation time on the screen to help you achieve better time management when giving presentations.

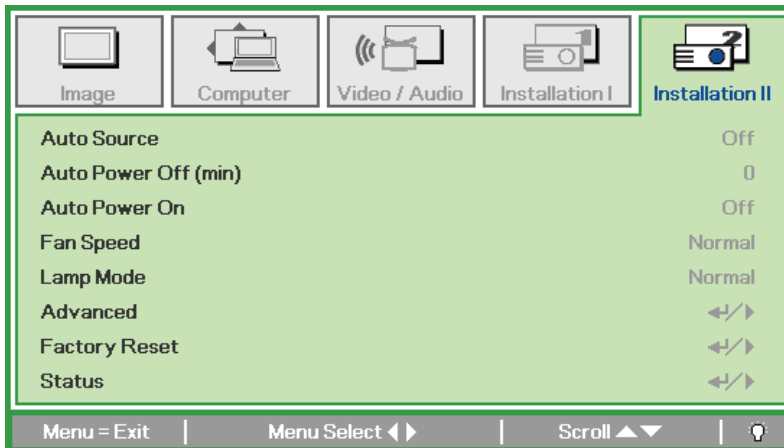
Press ◀ (Enter) / ▶ to enter the **Presentation Timer** sub menu.



ITEM	DESCRIPTION
Timer	Press the cursor ◀▶ button to enable or disable presentation timer function.
Timer Period	Press the cursor ◀▶ button to adjust the display timer period.
Timer Reset	Press ◀ (Enter) / ▶ to reset presentation timer counter.

Installation II Menu

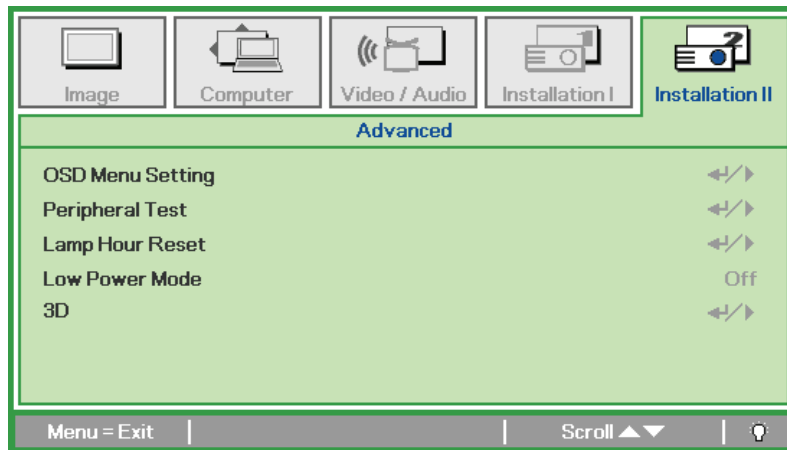
Press the **MENU** button to open the **OSD** menu. Press the cursor ◀▶ button to move to the **Installation II** menu. Press the cursor ▲▼ button to move up and down in the Installation II menu.



ITEM	DESCRIPTION
Auto Source	Press the cursor ◀▶ button to enable or disable automatic source detection.
Auto Power Off (min.)	Press the cursor ◀▶ button to enable or disable automatic shutdown of lamp when no signal.
Auto Power On	Press the cursor ◀▶ button to enable or disable automatic power On when AC power is supplied.
Fan Speed	Press the cursor ◀▶ button to toggle between Normal and High fan speeds. Note: We recommend selecting high speed in high temperatures, high humidity, or high altitude areas.
Lamp Mode	Press the cursor ◀▶ button to select the lamp mode for higher brightness or lower brightness to save lamp life.
Advanced	Press ◀ (Enter) / ▶ to enter the Advanced menu. See <i>Advanced Feature</i> on page 35.
Factory Reset	Press ◀ (Enter) / ▶ to reset all items to factory preset values.
Status	Press ◀ (Enter) / ▶ to enter the Status menu. See page 38 for more information on <i>Status</i> .

Advanced Feature

Press the **Menu** button to open the **OSD** menu. Press ◀▶ to move to the **Installation II** menu. Press ▲▼ to move to the **Advanced** menu and then press **Enter** or ▶. Press ▲▼ to move up and down in the **Advanced** menu. Press ◀▶ to change values for setting.

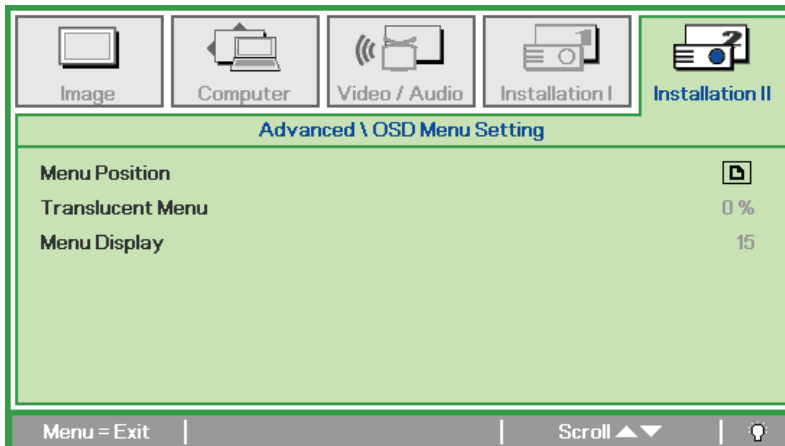


ITEM	DESCRIPTION
OSD Menu Setting	Press Enter / ▶ to enter the OSD setting menu. See page 36 for more information on <i>OSD Menu Setting</i> .
Peripheral Test	Press Enter/ ▶ to enter the Peripheral Test menu. See page 36 for more information on <i>Peripheral Test</i> .
Lamp Hour Reset	After replacing the lamp, this item should be reset. See page 37 for more information on <i>Lamp Hour Reset</i> .
Low Power Mode	Press ◀▶ to turn Low Power Mode on or off.
3D	Press ◀Enter/ ▶ to enter the 3D menu. See page 37 for more information on <i>3D</i> setting..

Note:

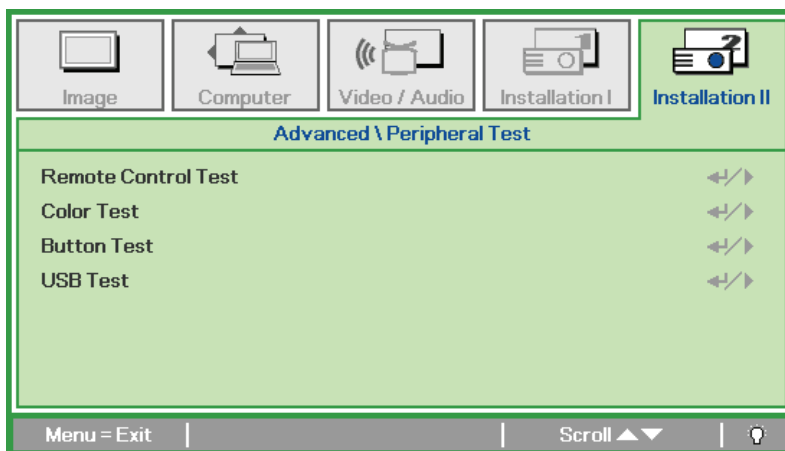
To enjoy the 3D function, first enable the Play Movie in 3D setting found in your DVD device under the 3D Disc Menu.

OSD Menu Setting



ITEM	DESCRIPTION
Menu Position	Press ◀▶ button to select different OSD location.
Translucent Menu	Press ◀▶ button to select OSD background translucent level.
Menu Display	Press ◀▶ button to select OSD timeout delay.

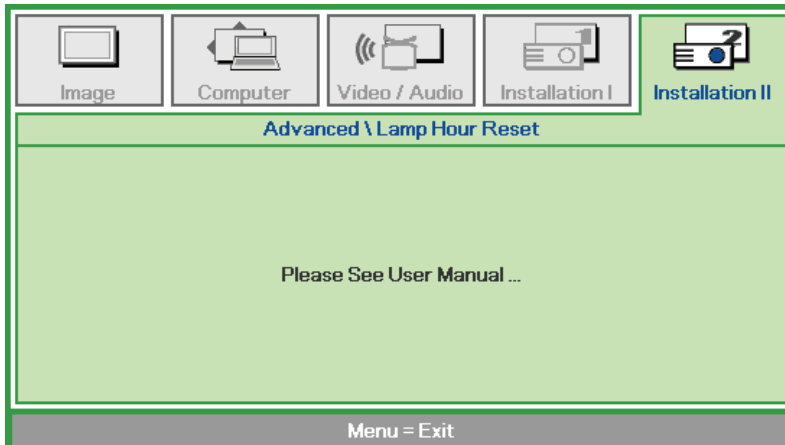
Peripheral Test



ITEM	DESCRIPTION
Remote Control Test	Press ◀↵ (Enter) / ▶ to test the IR remote controller for diagnostic.
Color Test	Press ◀↵ (Enter) / ▶ to select different colors on screen.
Button Test	Press ◀↵ (Enter) / ▶ to test the button on keypad.
USB Test (*)	Press ◀↵ (Enter) / ▶ to test the USB connection with connected PC.

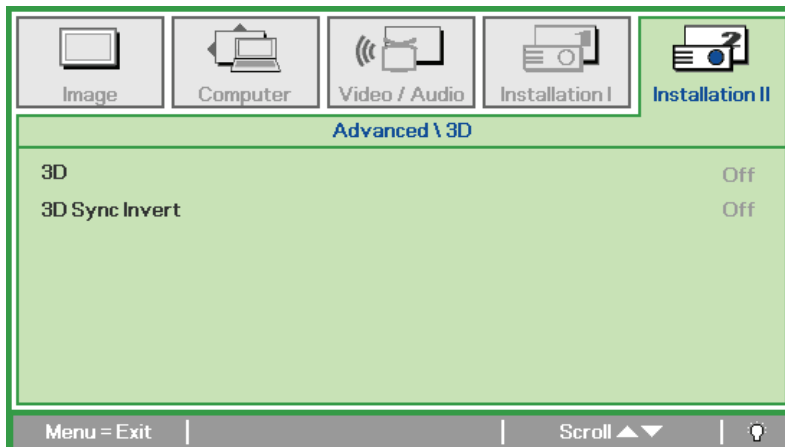
Note: (*) Not available in D860/D861 Series.

Lamp Hour Reset



Please refer to *Resetting the Lamp* on page 41 to reset the lamp hour counter.

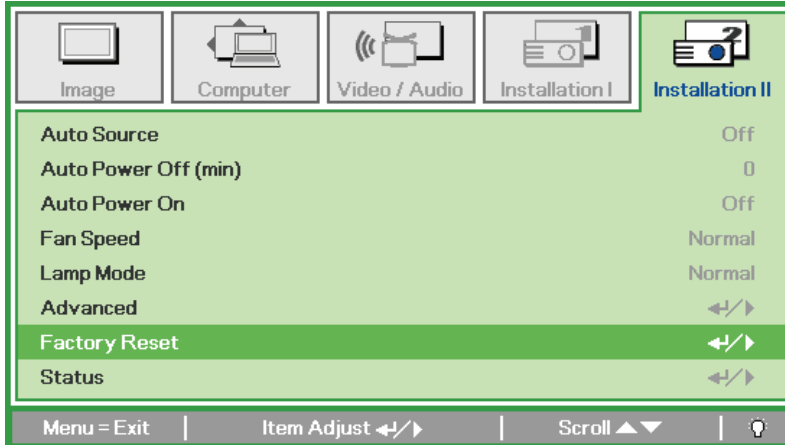
3D



ITEM	DESCRIPTION
3D	Press ◀▶ to select Off, DLP-Link or IR.
3D Sync Invert	Press ◀▶ to turn 3D Sync Invert On or Off.

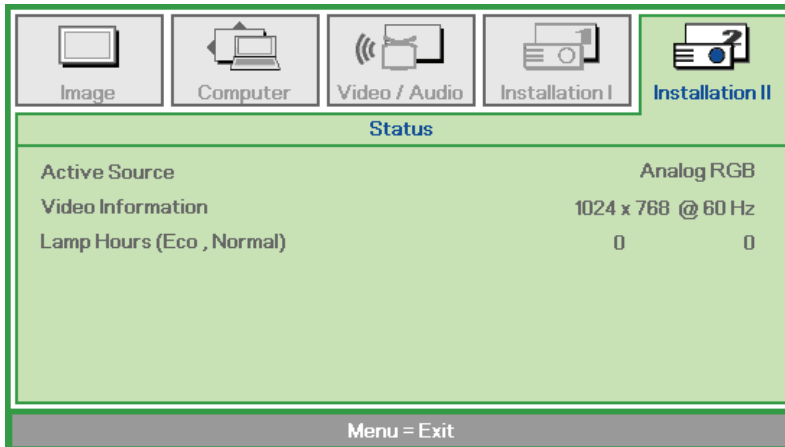
Factory Reset

Press the cursor ▲▼ button to move up and down in the **Installation II** menu. Select the **Factory Reset** sub menu and press ← (Enter) / ► to reset all the menu items to the factory default values (expect Language and Security Lock).



Status

Press the cursor ▲▼ button to move up and down in the **Installation II** menu. Select the **Installation II** sub menu and press ← (Enter) / ► to enter the **Status** sub menu.



ITEM	DESCRIPTION
Active Source	Display the activated source.
Video Information	Displays resolution/video information for RGB source and color standard for Video source.
Lamp Hours	Lamp hour used information is displayed. Eco and Normal counters are separated.

MAINTENANCE AND SECURITY

Replacing the Projection Lamp

The projection lamp should be replaced when it burns out. It should only be replaced with a certified replacement part, which you can order from your local dealer.

Important:

- a. The projection lamp used in this product contains a small amount of mercury.
- b. Do not dispose this product with general household waste.
- c. Disposal of this product must be carried out in accordance with the regulations of your local authority.

Warning:

Be sure to turn off and unplug the projector at least 30 minutes before replacing the lamp. Failure to do so could result in a severe burn.

Caution:

In rare cases the lamp bulb may burn out during normal operation and cause glass dust or shards to be discharged outward from the rear exhaust vent.

Do not inhale or do not touch glass dust or shards. Doing so could result in injury.

Always keep your face away from the exhaust vent so that you do not suffer from the gas and broken shards of the lamp.

When removing the lamp from a ceiling-mounted projector, make sure that no one is under the projector. Glass fragments could fall if the lamp has been burned out.



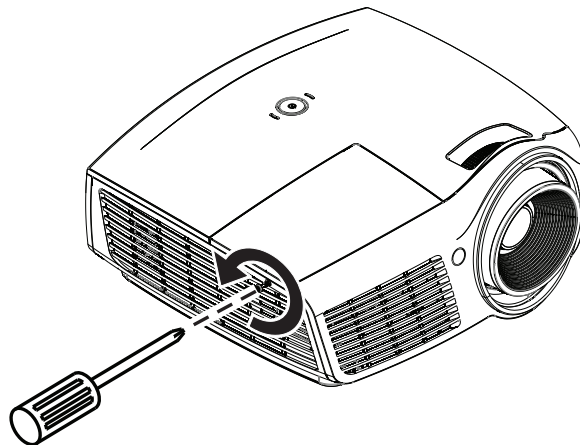
IF A LAMP EXPLODES

If a lamp explodes, the gas and broken shards may scatter inside the projector and they may come out of the exhaust vent. The gas contains toxic mercury.

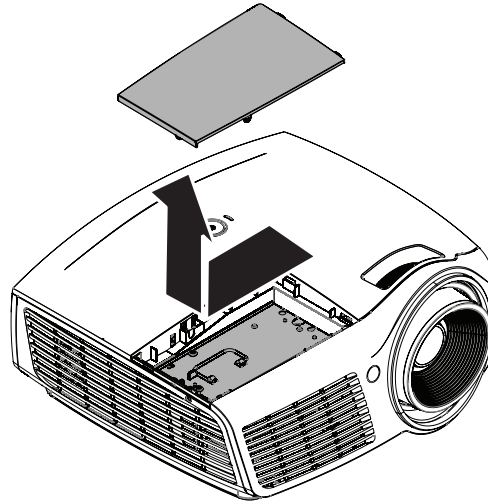
Open windows and doors for ventilation.

If you inhale the gas or the shards of the broken lamp enter your eyes or mouth, consult the doctor immediately.

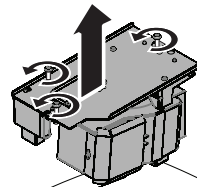
1. Loosen the single screw on the lamp compartment cover.



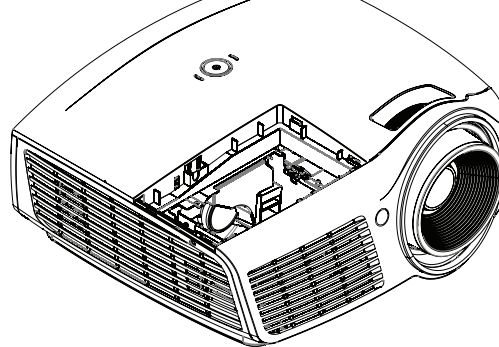
2. Remove the lamp compartment cover.



3. Remove the three screws from the lamp module.

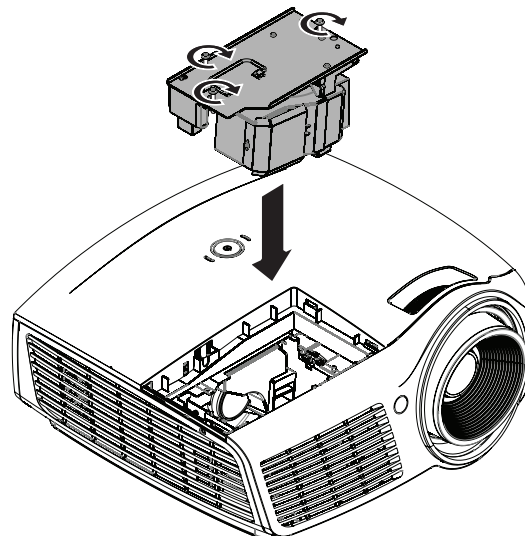


4. Lift the module handle up.



5. Pull firmly on the module handle to remove the lamp module.

6. Reverse steps 1 to 5 to install the new lamp module. While installing, align the lamp module with the connector and ensure it is level to avoid damage.

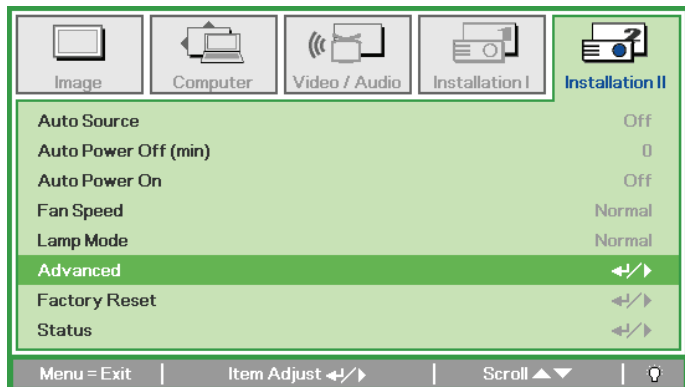


Note: The lamp module must sit securely in place and the lamp connector must be connected properly before tightening the screws.

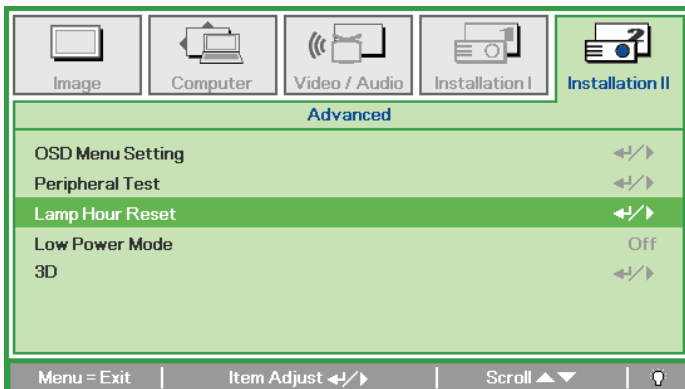
Resetting the Lamp

After replacing the lamp, you should reset the lamp hour counter to zero. Refer to the following:

1. Press the **MENU** button to open the OSD menu.
2. Press the cursor **◀▶** button to move to the **Installation II** menu. Press the cursor **▼▲** button to move down to **Advanced**.



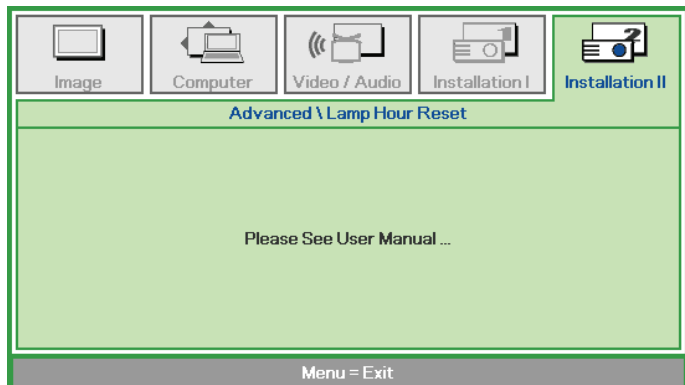
3. Press the cursor **▼▲** button to move down to **Lamp Hour Reset**.



4. Press the cursor **▶** or **Enter** button.

A message screen appears.

5. Press **▼▲◀▶** buttons to reset the lamp hour.
6. Press the **MENU** button to get back to Installation II.



Cleaning the Projector

Cleaning the projector to remove dust and grime will help ensure trouble-free operation.

Warning:

- 1. Be sure to turn off and unplug the projector at least 30 minutes before cleaning. Failure to do so could result in a severe burn.*
- 2. Use only a dampened cloth when cleaning. Do not allow water to enter the ventilation openings on the projector.*
- 3. If a little water gets into the projector interior while cleaning, leave unplugged in a well-ventilated room for several hours before using.*
- 4. If a lot of water gets into the projector interior when cleaning, have the projector serviced.*

Cleaning the Lens

You can purchase optic lens cleaner from most camera stores. Refer to the following to clean the projector lens.

1. Apply a little optic lens cleaner to a clean soft cloth. (Do not apply the cleaner directly to the lens.)
2. Lightly wipe the lens in a circular motion.

Caution:

- 1. Do not use abrasive cleaners or solvents.*
- 2. To prevent discoloration or fading, avoid getting cleaner on the projector case.*

Cleaning the Case

Refer to the following to clean the projector case.

1. Wipe off dust with a clean dampened cloth.
2. Moisten the cloth with warm water and mild detergent (such as used to wash dishes), and then wipe the case.
3. Rinse all detergent from the cloth and wipe the projector again.

Caution:

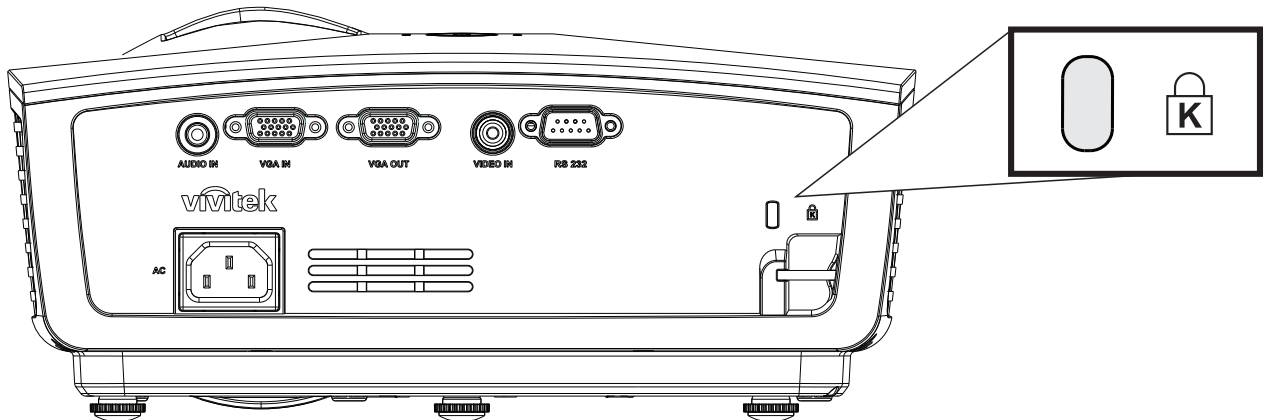
To prevent discoloration or fading of the case, do not use abrasive alcohol-based cleaners.

Using the Kensington® Lock

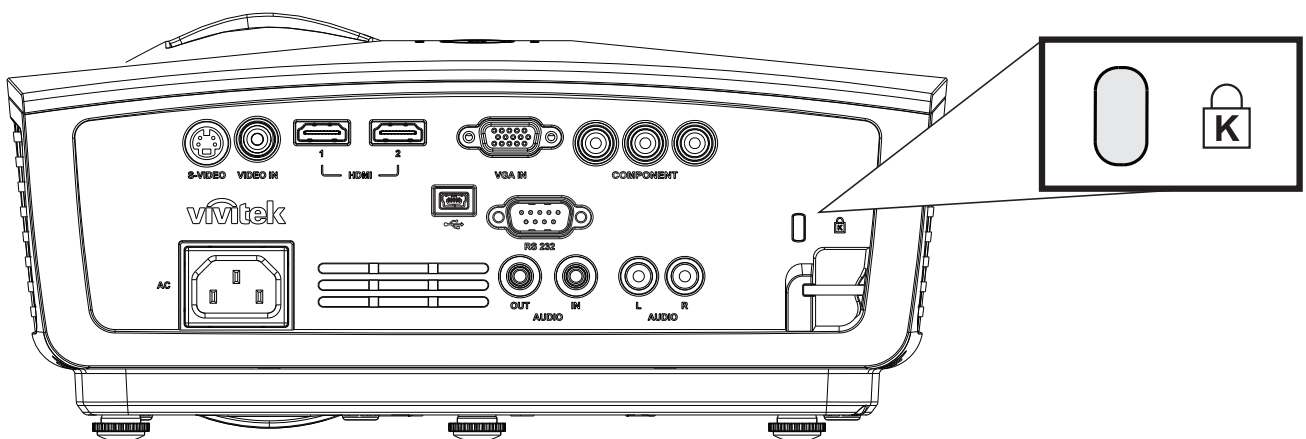
Using the Kensington® Lock

If you are concerned about security, attach the projector to a permanent object with the Kensington slot and a security cable.

For D860/D861 Series



For D862 Series



Note:

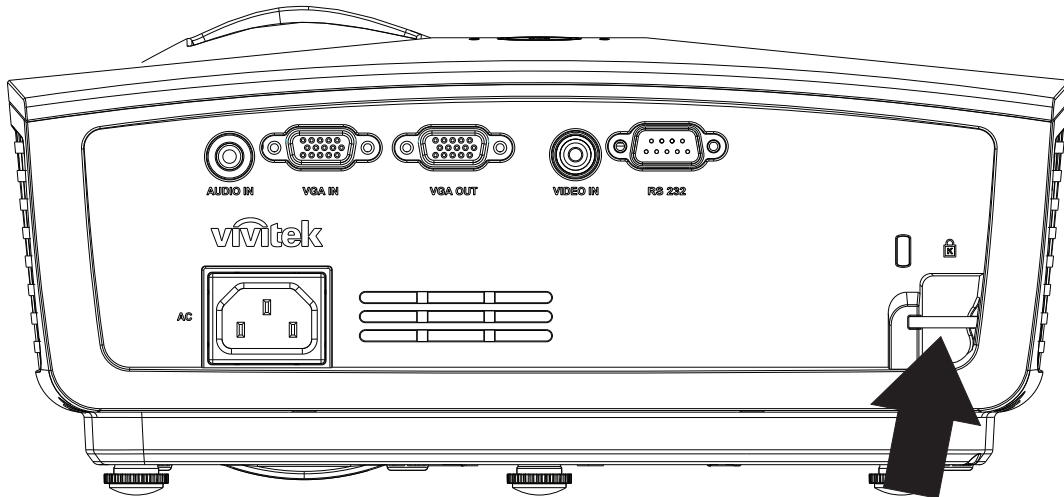
Contact your vendor for details on purchasing a suitable Kensington security cable.

The security lock corresponds to Kensington’s MicroSaver Security System. If you have any comment, contact: Kensington, 2853 Campus Drive, San Mateo, CA 94403, U.S.A. Tel: 800-535-4242, <http://www.Kensington.com>.

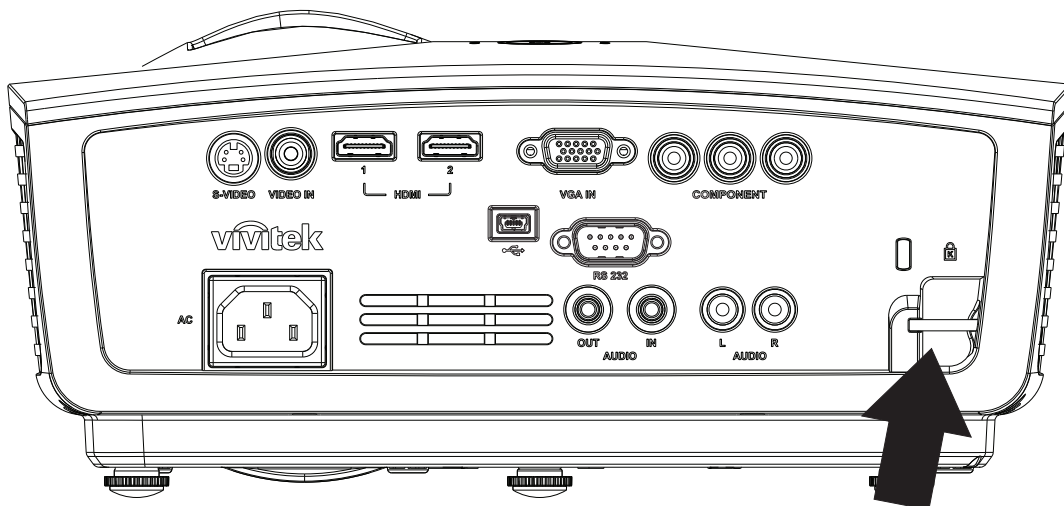
Using the Security Bar

In addition to the password protection function and the Kensington lock, the Security Bar helps protect the projector from unauthorized removal. See the following picture.

For D860/D861 Series



For D862 Series



TROUBLESHOOTING

Common problems and solutions

These guidelines provide tips to deal with problems you may encounter while using the projector. If the problem remains unsolved, contact your dealer for assistance.

Often after time spent troubleshooting, the problem is traced to something as simple as a loose connection. Check the following before proceeding to the problem-specific solutions.

- *Use some other electrical device to confirm that the electrical outlet is working.*
- *Ensure the projector is turned on.*
- *Ensure all connections are securely attached.*
- *Ensure the attached device is turned on.*
- *Ensure a connected PC is not in suspending mode.*
- *Ensure a connected notebook computer is configured for an external display. (This is usually done by pressing an Fn-key combination on the notebook.)*

Tips for Troubleshooting

In each problem-specific section, try the steps in the order suggested. This may help you to solve the problem more quickly.

Try to pin point the problem and thus avoid replacing non-defective parts. For example, if you replace batteries and the problem remains, put the original batteries back and go to the next step.

Keep a record of the steps you take when troubleshooting: The information may be useful when calling for technical support or for passing on to service personnel.

LED Error Messages

ERROR CODE MESSAGES	POWER LED BLUE	LAMP LED BLUE
Standby mode	ON	OFF
System Initial	Flash	OFF
Over temperature	3	OFF
Thermal break status error	4	OFF
Lamp Fail	OFF	ON
Cooling	Flashing	OFF
Lamp temperature too high	5	3
Case Open	7	OFF
Color wheel error	9	OFF

In the event of an error, please disconnect the AC power cord and wait for one (1) minute before restarting the projector. If the Power or Lamp LEDs are still blinking or any other situation that isn't listed in the chart above, please contact your service center.

Image Problems

Problem: No image appears on the screen

1. Verify the settings on your notebook or desktop PC.
2. Turn off all equipment and power up again in the correct order.

Problem: The image is blurred

1. Adjust the **Focus** on the projector.
2. Press the **Auto** button on the remote control.
3. Ensure the projector-to-screen distance is within the 10-meter (33-feet) specified range.
4. Check that the projector lens is clean.

Problem: The image is wider at the top or bottom (trapezoid effect)

1. Position the projector so it is as perpendicular to the screen as possible.
2. Use the **Keystone** button on the remote control to correct the problem.

Problem: The image is reversed

Check the **Projection** setting on the **Installation I** menu of the OSD.

Problem: The image is streaked

1. Set the **Frequency** and **Tracking** settings on the **Computer** menu of the OSD to the default settings.
2. To ensure the problem is not caused by a connected PC’s video card, connect to another computer.

Problem: The image is flat with no contrast

Adjust the **Contrast** setting on the **Image** menu of the OSD.

Problem: The color of the projected image does not match the source image.

Adjust the **Color Temperature** and **Gamma** settings on the **Image** menu of the OSD.

Lamp Problems

Problem: There is no light from the projector

1. Check that the power cable is securely connected.
2. Ensure the power source is good by testing with another electrical device.
3. Restart the projector in the correct order and check that the Power LED is blue.
4. If you have replaced the lamp recently, try resetting the lamp connections.
5. Replace the lamp module.
6. Put the old lamp back in the projector and have the projector serviced.

Problem: The lamp goes off

1. Power surges can cause the lamp to turn off. Re-plug power cord. When the Power LED is on, press the power button.
2. Replace the lamp module.
3. Put the old lamp back in the projector and have the projector serviced.

Remote Control Problems

Problem: The projector does not respond to the remote control

1. Direct the remote control towards remote sensor on the projector.
2. Ensure the path between remote and sensor is not obstructed.
3. Turn off any fluorescent lights in the room.
4. Check the battery polarity.
5. Replace the batteries.
6. Turn off other Infrared-enabled devices in the vicinity.
7. Have the remote control serviced.

Audio Problems

Problem: There is no sound

1. Adjust the volume on the remote control.
2. Adjust the volume of the audio source.
3. Check the audio cable connection.
4. Test the source audio output with other speakers.
5. Have the projector serviced.

Problem: The sound is distorted

1. Check the audio cable connection.
2. Test the source audio output with other speakers.
3. Have the projector serviced.

Having the Projector Serviced

If you are unable to solve the problem, you should have the projector serviced. Pack the projector in the original carton. Include a description of the problem and a checklist of the steps you took when trying to fix the problem: The information may be useful to service personnel. For servicing, return the projector to the place you purchased it.

HDMI™ Q & A

Q. What is the difference between a “Standard” HDMI™ cable and a “High-Speed” HDMI™ cable?

Recently, HDMI™ Licensing, LLC announced that cables would be tested as Standard or High-Speed cables.

- Standard (or “category 1”) HDMI™ cables have been tested to perform at speeds of 75Mhz or up to 2.25Gbps, which is the equivalent of a 720p/1080i signal.
- High Speed (or “category 2”) HDMI™ cables have been tested to perform at speeds of 340Mhz or up to 10.2Gbps, which is the highest bandwidth currently available over an HDMI™ cable and can successfully handle 1080p signals including those at increased color depths and/or increased refresh rates from the Source. High-Speed cables are also able to accommodate higher resolution displays, such as WQXGA cinema monitors (resolution of 2560 x 1600).

Q. How do I run HDMI™ cables longer than 10 meters?

There are many HDMI™ Adopters working on HDMI™ solutions that extend a cable’s effective distance from the typical 10 meter range to much longer lengths. These companies manufacture a variety of solutions that include active cables (active electronics built into cables that boost and extend the cable’s signal), repeaters, amplifiers as well as CAT5/6 and fiber solutions.

Q. How can I tell if a cable is an HDMI™ certified cable?

All HDMI™ products are required to be certified by the manufacturer as part of the HDMI™ Compliance Test Specification. However, there may be instances where cables bearing the HDMI™ logo are available but have not been properly tested. HDMI™ Licensing, LLC actively investigates these instances to ensure that the HDMI™ trademark is properly used in the market. We recommend that consumers buy their cables from a reputable source and a company that is trusted.

For more detail information check <http://www.hdmi.org/learningcenter/faq.aspx#49>

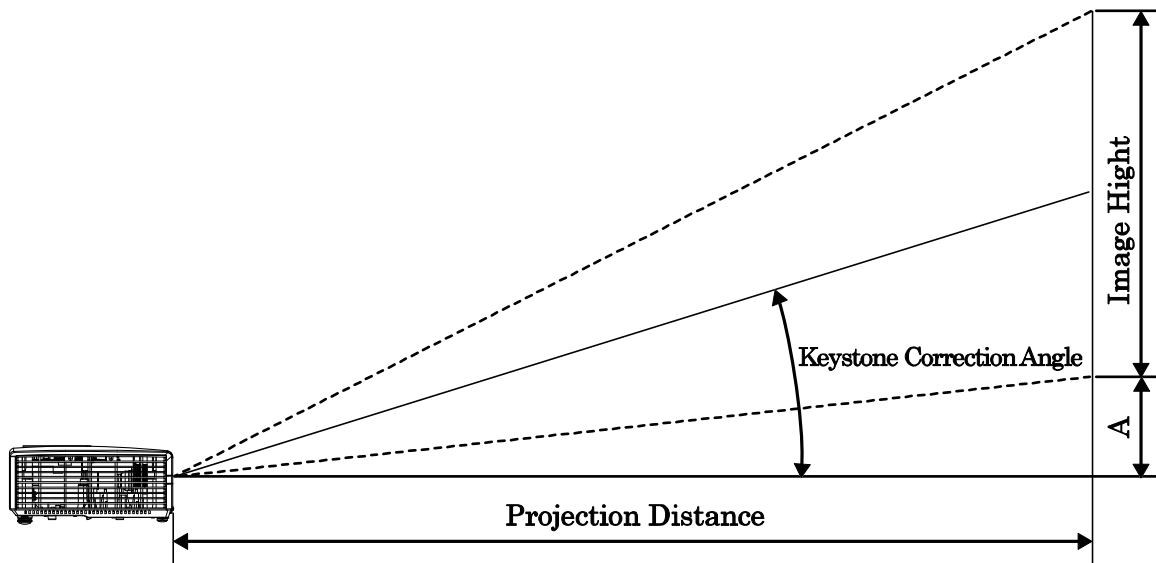
SPECIFICATIONS

Specifications

Model	D860	D861	D862
Display type	TI DMD 0.55"		
Resolution	SVGA 800x600	XGA 1024x768	
Projection distance	1 ~ 10 m		
Projection screen size	23" ~ 255"	25.6" ~ 308"	
Projection lens	Manual Focus/Manual Zoom		
Zoom ratio	1.1x	1.2x	
Vertical keystone correction	+/- 30 steps		
Projection methods	Front, Rear, Desktop/Ceiling (Rear, Front)		
Data compatibility	VGA, SVGA, XGA, SXGA, SXGA+, UXGA, Mac		
SDTV/EDTV/ HDTV	480i, 480p, 720p, 1080i, 1080p		
Video compatibility	NTSC/NTSC 4.43, PAL (B/G/H/I/M/N/60), SECAM		
H-Sync	15, 30 – 90 kHz		
V-Sync	43 – 120 Hz		
Safety certification	FCC-B, cUL, UL, CE, C-tick, CCC, KC, CB, PCT, NOM, SASO, PSB		
Operation temperature	5° ~ 35°C		
Dimensions	285 mm (W) x 261 mm (D) x 130 mm (H)		
AC Input	AC Universal 100-240, Typical @ 110VAC (100-240)/+-10%		
Power consumption	250W		
Stand By	<0.5 watts		
Lamp	190W (Normal) / 160W (Eco)		
Audio speaker	2W mono speaker	10W mono speaker	
Input Terminals	VGA x 1		
	Composite video x 1		
	PC Audio jack(3.5mm) x 1		
	—	Component (YPbPr RCAx3) x 1	
	—	S-Video x 1	
	—	HDMI x 2	
	—	RCA Stereo Audio LR x 1	
Output Terminals	VGA x 1	PC Audio jack(3.5mm) x 1	
Control Terminals	RS-232C		
	—	USB (service only)	
Security	Kensington lock / Security Bar		

Note: For questions regarding product specifications, please contact your local distributor.

Projection Distance vs. Projection Size



Projection Distance and Size Table

D860 / D86ZA~ZE					
IMAGE DIAGONAL (INCH)	IMAGE WIDTH (INCH)	IMAGE HIGHT (INCH)	PROJECTION DISTANCE (MM) FROM	PROJECTION DISTANCE (MM) TO	OFFSET-A (MM)
60	48	36	2353.1	2633.5	128.0
70	56	42	2745.2	3072.4	149.4
72	57.6	43.2	2823.7	3160.2	153.6
80	64	48	3137.4	3511.3	170.7
84	67.2	50.4	3294.3	3686.9	179.2
90	72	54	3529.6	3950.2	192.0
96	76.8	57.6	3764.9	4213.6	204.8
100	80	60	3921.8	4389.1	213.4
120	96	72	4706.1	5266.9	256.0
135	108	81	5294.4	5925.3	288.0
150	120	90	5882.6	6583.7	320.0
200	160	120	7843.5	8778.2	426.7

D861 / D86AA~AE					
IMAGE DIAGONAL (INCH)	IMAGE WIDTH (INCH)	IMAGE HIGHT (INCH)	PROJECTION DISTANCE (MM) FROM	PROJECTION DISTANCE (MM) TO	OFFSET-A (MM)
60	48	36	1950.7	2340.9	128.0
70	56	42	2275.8	2731.0	149.4
72	57.6	43.2	2340.9	2809.0	153.6
80	64	48	2601.0	3121.2	170.7
84	67.2	50.4	2731.0	3277.2	179.2
90	72	54	2926.1	3511.3	192.0
96	76.8	57.6	3121.2	3745.4	204.8
100	80	60	3251.2	3901.4	213.4
120	96	72	3901.4	4681.7	256.0
135	108	81	4389.1	5266.9	288.0
150	120	90	4876.8	5852.2	320.0
200	160	120	6502.4	7802.9	426.7

D862 / D86BA~BE					
IMAGE DIAGONAL (INCH)	IMAGE WIDTH (INCH)	IMAGE HIGHT (INCH)	PROJECTION DISTANCE (MM) FROM	PROJECTION DISTANCE (MM) TO	OFFSET-A (MM)
60	48	36	1950.7	2340.9	128.0
70	56	42	2275.8	2731.0	149.4
72	57.6	43.2	2340.9	2809.0	153.6
80	64	48	2601.0	3121.2	170.7
84	67.2	50.4	2731.0	3277.2	179.2
90	72	54	2926.1	3511.3	192.0
96	76.8	57.6	3121.2	3745.4	204.8
100	80	60	3251.2	3901.4	213.4
120	96	72	3901.4	4681.7	256.0
135	108	81	4389.1	5266.9	288.0
150	120	90	4876.8	5852.2	320.0
200	160	120	6502.4	7802.9	426.7

Timing Mode Table

SIGNAL	RESOLUTION	H-SYNC (KHz)	V-SYNC (Hz)	COMPOSITE / S-VIDEO	COMPONENT	RGB	DVI/ HDMI™
NTSC	—	15.734	60.0	O	—	—	—
PAL/SECAM	—	15.625	50.0	O	—	—	—
VESA	720 x 400	37.9	85.0	—	—	O	O
	640 x 480	31.5	60.0	—	—	O	O
	640 x 480	37.9	72.0	—	—	O	O
	640 x 480	37.5	75.0	—	—	O	O
	640 x 480	43.3	85.0	—	—	O	O
	800 x 600	35.2	56.0	—	—	O	O
	800 x 600	37.9	60.0	—	—	O	O
	800 x 600	48.1	72.0	—	—	O	O
	800 x 600	46.9	75.0	—	—	O	O
	800 x 600	53.7	85.0	—	—	O	O
	1024 x 768	48.4	60.0	—	—	O	O
	1024 x 768	56.5	70.0	—	—	O	O
	1024 x 768	60.0	75.0	—	—	O	O
	1024 x 768	68.7	85.0	—	—	O	O
	1280 x 800	49.7	59.8	—	—	O	O
	1280 x 800	62.8	74.9	—	—	O	O
	1280 x 800	71.6	84.8	—	—	O	O
	1280 x 1024	63.98	60.0	—	—	O	O
	1280 x 1024	79.98	75.0	—	—	O	O
	1280 x 1024	91.10	85.0	—	—	O	O
	1280 x 960	60.0	60.0	—	—	O	O
	1280 x 960	85.9	85.0	—	—	O	O
	1400 x 1050	65.3	60.0	—	—	O	O
1440 x 900	70.6	75.0	—	—	O	O	
1440 x 900	55.6	60.0	—	—	O	O	

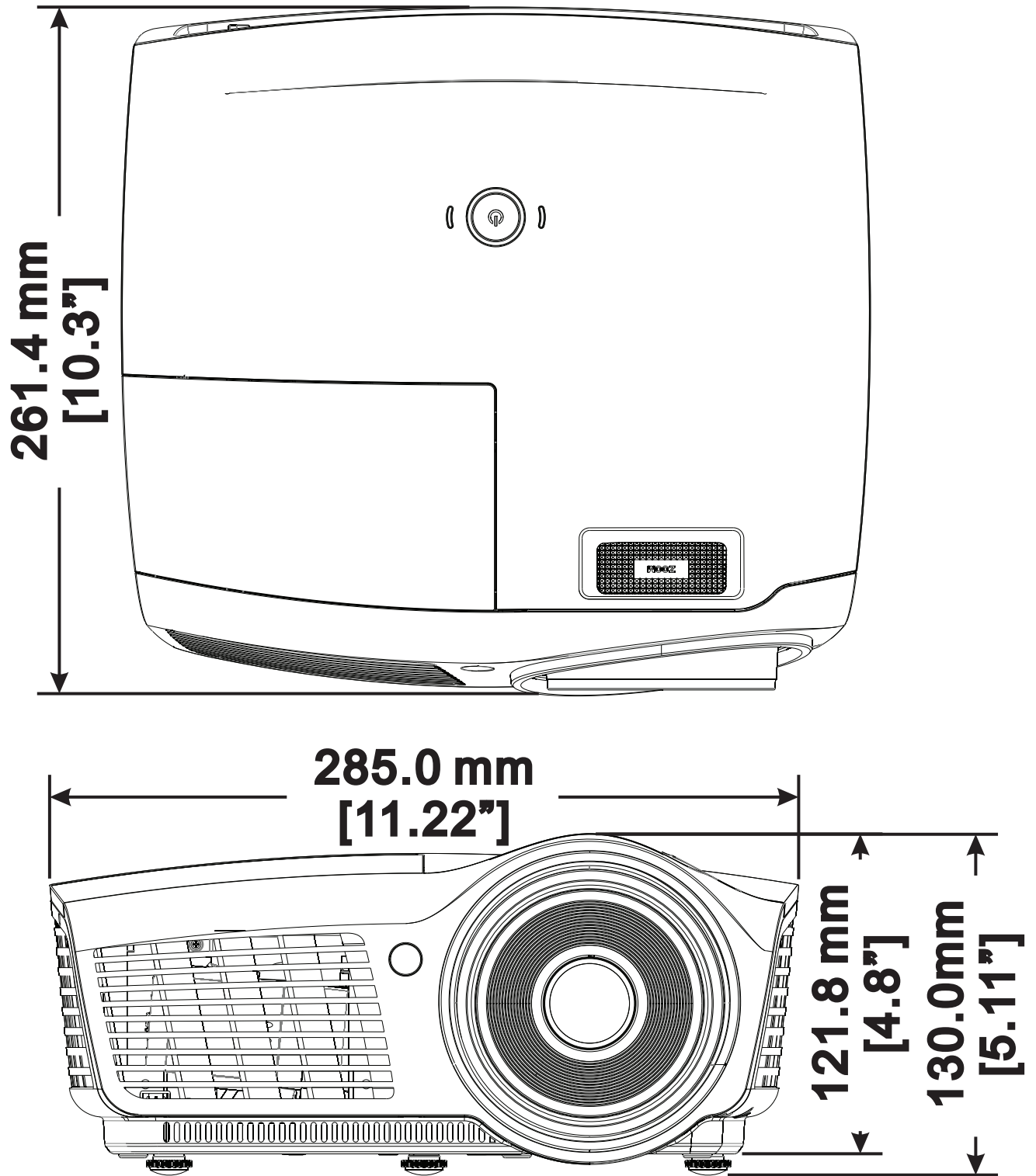
SIGNAL	RESOLUTION	H-SYNC (KHZ)	V-SYNC (Hz)	COMPOSITE / S-VIDEO	COMPONENT	RGB	DVI/ HDMI™
	1600 x 1200	75.0	60.0	—	—	O	O
Apple Mac	640 x 480	35.0	66.68	—	—	O	O
	832 x 624	49.725	74.55	—	—	O	O
	1024 x 768	60.24	75.0	—	—	O	O
	1152 x 870	68.68	75.06	—	—	O	O
SDTV	480i	15.734	60.0	—	O	—	O
	576i	15.625	50.0	—	O	—	O
EDTV	480p	31.469	60.0	—	O	—	O
	576p	31.25	50.0	—	O	—	O
HDTV	720p	37.5	50.0	—	O	—	O
	720p	45.0	60.0	—	O	—	O
	1080i	33.8	60.0	—	O	—	O
	1080i	28.1	50.0	—	O	—	O
	1080p	67.5	60.0	—	O	—	O
	1080p	56.3	50.0	—	O	—	O

O: Frequency supported

—: Frequency not supported

* : Displayable level

Projector Dimensions



REGULATORY COMPLIANCE

FCC Warning

This equipment has been tested and found to comply with the limits for a Class B digital device pursuant to Part 15 of the FCC Rules. These limits are designed to provide reasonable protection against harmful interference when the equipment is operated in a commercial environment.

This equipment generates, uses, and can radiate radio frequency energy and, if not installed and used in accordance with the instruction manual, may cause harmful interference to radio communications. Operation of this equipment in a residential area is likely to cause harmful interference in which case the user will be required to correct the interference at his/her own expense.

Changes or modifications not expressly approved by the parties responsible for compliance could void the user’s authority to operate the equipment.

Canada

This class B digital apparatus complies with Canadian ICES-003.

Safety Certifications

FCC-B, cUL, UL, CE, C-tick, CCC, KC, CB, PCT, NOM, SASO, PSB.

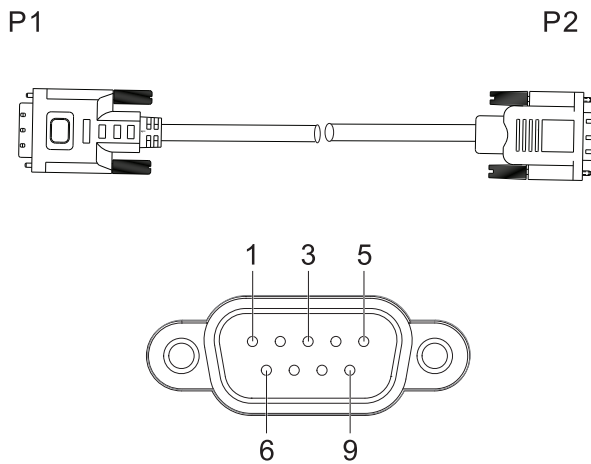
RS-232C Protocol

RS232 Setting

Baud rate:	9600
Parity check:	None
Data bit:	8
Stop bit:	1
Flow Control	None

Minimum delay for next command: **1ms**

Control Command Structure



P1		P2
Pin no.	Name	Pin no.
1	NC	1
2	RXD	3
3	TXD	2
4	NC	4
5	GND	5
6	NC	6
7	RTS	7
8	CTS	8
9	NC	9

	Header code	Command code	Data code	End code
HEX		Command	Data	0Dh
ASCII	‘V’	Command	Data	CR

Operation Command

Note:

XX=00-98, projector's ID, XX=99 is for all projectors

Return Result P=Pass / F=Fail

n: 0:Disable/1: Enable/Value(0~9999)

Command Group 00			
ASCII	Function	Description	Return Result
VXXS0001	Power On		P/F
VXXS0002	Power Off		P/F
VXXS0003	Resync		P/F
VXXG0004	Get Lamp Hours		Pn/F
VXXS0005n	Set Air filter timer	n=0~999999	P/F
VXXG0005	Get Air filter timer	n=0~999999	Pn/F
VXXS0006	System Reset		P/F
VXXG0007	Get System Status	0: Standby 2:Operation 3:Cooling	Pn/F
VXXG0008	Get F/W Version		Pn/F
VXXG0009	Get Alter EMail		Pn/F
VXXS0009n	Set Alter Email	n=xxxxxxx@xxxx.xxx.xx	P/F

Command Group 01			
ASCII	Function	Description	Return Value
VXXG0101	Get Brightness	n=0~100	Pn/F
VXXS0101n	Set Brightness	n=0~100	P/F
VXXG0102	Get Contrast	n=0~100	Pn/F
VXXS0102n	Set Contrast	n=0~100	P/F
VXXG0103	Get Color	n=0~100	Pn/F
VXXS0103n	Set Color	n=0~100	P/F
VXXG0104	Get Tint	n=0~100	Pn/F
VXXS0104n	Set Tint	n=0~100	P/F
VXXG0105	Get Sharpness	0~31	Pn/F
VXXS0105n	Set Sharpness	0~31	P/F
VXXG0106	Get Color Temperature	0: Cold 1: Normal 2: Warm	Pn/F
VXXS0106n	Set Color Temperature	0: Cold 1: Normal 2: Warm	P/F

VXXG0107	Get Gamma	0:PC 1:MAC 2:Video 3:Chart 4: B&W	Pn/F
VXXS0107n	Set Gamma	0:PC 1:MAC 2:Video 3:Chart 4: B&W	P/F

Command Group 02

ASCII	Function	Description	Return Value
VXXS0201	Select RGB		P/F
VXXS0202	Select RGB2		P/F
VXXS0203	Select DVI		P/F
VXXS0204	Select Video		P/F
VXXS0205	Select S-Video		P/F
VXXS0206	Select HDMI		P/F
VXXS0207	Select BNC		P/F
VXXS0208	Select Component		P/F
VXXS0209	Select HDMI 2		P/F
VXXG0220	Get Current Source	Return 1:RGB 2:RGB2 3:DVI 4:Video 5:S-Video 6:HDMI 7:BNC 8:Component 9:HDMI 2	Pn/F

Command Group 03

ASCII	Function	Description	Return Value
VXXG0301	Get Scaling	0: Fill 1: 4:3 2: 16:9 3 :Letter Box 4 :Native	Pn/F
VXXS0301n	Set Scaling	0: Fill 1: 4:3 2: 16:9 3 :Letter Box 4 :Native	P/F
VXXG0302	Blank		Pn/F
VXXS0302n	Blank		P/F
VXXG0303	Auto Keystone On		Pn/F
VXXS0303n	Auto Keystone On		P/F
VXXG0304	Freeze On		Pn/F
VXXS0304n	Freeze On		P/F

VXXG0305	Volume	n=0~8	Pn/F
VXXS0305n	Volume	n=0~8	P/F
VXXG0306	Treble	n=0~16	Pn/F
VXXS0306n	Treble	n=0~16	P/F
VXXG0307	Bass	n=0~16	Pn/F
VXXS0307n	Bass	n=0~16	P/F
VXXG0308	Projection Mode	0:Front 1:Rear 2:Ceiling 3:Rear+Ceiling	Pn/F
VXXS0308n	Projection Mode	0:Front 1:Rear 2:Ceiling 3:Rear+Ceiling	P/F
VXXG0309	Set vertical keystone value	n= -30~30	Pn/F
VXXS0309n	Set vertical keystone value	n= -30~30	P/F
VXXG0310	Set horizontal keystone value	n=-20~+20	Pn/F
VXXS0310n	Set horizontal keystone value	n=-20~+20	P/F
VXXG0311	Adjust the zoom	n=-10~10	Pn/F
VXXS0311n	Adjust the zoom	n=-10~10	P/F
VXXG0312	Adjust the focus	n=-20~+20	Pn/F
VXXS0312n	Adjust the focus	n=-20~+20	P/F
VXXG0313	Adjust the vertical lens shift	n=-20~+20	Pn/F
VXXS0313n	Adjust the vertical lens shift	n=-20~+20	P/F
VXXG0314	Adjust the horizontal lens shift	n=-20~+20	Pn/F
VXXS0314n	Adjust the horizontal lens shift	n=-20~+20	P/F
Command Group 04 (Remote Control)			
ASCII	Function	Description	Return Value
VXXS0401	UP arrow		P/F
VXXS0402	DOWN arrow		P/F
VXXS0403	LEFT arrow		P/F
VXXS0404	RIGHT arrow		P/F
VXXS0405	POWER		P/F
VXXS0406	EXIT		P/F
VXXS0407	INPUT		P/F
VXXS0408	AUTO		P/F
VXXS0409	KEystone+		P/F
VXXS0410	KEystone-		P/F
VXXS0411	MENU		P/F
VXXS0412	STATUS		P/F
VXXS0413	MUTE		P/F
VXXS0414	ZOOM+		P/F
VXXS0415	ZOOM-		P/F

VXXS0416	BLANK		P/F
VXXS0417	FREEZE		P/F
VXXS0418	VOLUME+		P/F
VXXS0419	VOLUME-		P/F
VXXS0420	Enter		P/F